

# Mounting instructions

Latchable Magic cable tray systems

---

## **Latchable Magic cable tray systems**

*Mounting instructions*

## Table of contents

<b>1</b>	<b>About these instructions</b>	<b>5</b>
1.1	Target group	5
1.2	Relevance of these instructions	5
1.3	Types of warning symbols	5
1.4	Depiction conventions	5
1.5	Basic standards and regulations	6
1.6	Applicable documents	6
<b>2</b>	<b>Intended use</b>	<b>6</b>
<b>3</b>	<b>Safety</b>	<b>6</b>
3.1	General safety information	6
3.2	Personal protective equipment	7
<b>4</b>	<b>Necessary tools</b>	<b>7</b>
<b>5</b>	<b>System overview</b>	<b>8</b>
5.1	System description	8
5.2	Cable trays	8
5.3	Connectors	9
5.4	Fittings	10
5.5	Covers for cable trays	14
5.6	Covers for fittings	15
5.7	Accessories	17
<b>6</b>	<b>Installation</b>	<b>18</b>
6.1	Cutting the cable tray	18
6.2	Mounting the joint plate	19
6.3	Applying the edge protection strip	19
6.4	Connecting cable trays	20
6.4.1	Creating a straight connection with the latchable Magic connection	20
6.4.2	Creating a straight connection for cut cable trays	22
6.4.3	Creating an angle connection for cut cable trays	26
6.5	Mounting fittings	33
6.5.1	Supporting fittings	33
6.5.2	Mounting fitting on T piece, as example	35
6.5.3	Mounting an add-on tee as a branch	44
6.5.4	Mounting an add-on tee as a reducer	46
6.5.5	Mounting the angle-adjustable bend	47
6.5.6	Mounting falling or rising vertical bends	50
6.5.7	Mounting an adjustable bend element	51
6.5.8	Mounting a reducer/end closure	53
6.6	Mounting a barrier strip	56
6.6.1	Screwing on a barrier strip	56
6.6.2	Mounting a barrier strip with a hold-down clamp for RKSM	56
6.6.3	Connecting barrier strips with a barrier strip connector	58
6.7	Creating equipotential bonding	58
6.8	Mounting covers	59
6.8.1	Mounting a cover with a cover clamp	59

## Table of contents

---

6.8.2 Mounting a cover with turn buckle.....	60
6.8.3 Mounting a fitting cover.....	63
<b>7 Maintaining the system.....</b>	<b>64</b>
<b>8 Dismantling the system.....</b>	<b>64</b>
8.1 Releasing the latchable Magic connection.....	64
<b>9 Disposing of the system.....</b>	<b>65</b>
<b>10 Technical data.....</b>	<b>65</b>
10.1 Article list.....	65
10.2 Number of fastening materials.....	97
10.2.1 Recommended number of fastening materials for screw connection.....	97
10.2.2 Recommended number of fastening materials for clamp connection.....	98

# 1 About these instructions

## 1.1 Target group

These mounting instructions are intended for the following target group:

- Engineers and architects charged with the planning of cable support systems with cable trays.
- Electrically trained specialists charged with installing cable support systems and cable trays.

## 1.2 Relevance of these instructions

These instructions are based on the standards valid at the time of compilation (01/2025).

Please read the instructions carefully before starting mounting. We will not accept any warranty claims for damage caused through non-observance of these instructions.

Any images are intended merely as examples. Mounting results may look different.

In these instructions, cables and lines are referred to simply as cables.

## 1.3 Types of warning symbols



---

### Type of risk!

Shows a risky situation. If the safety instruction is not observed, then serious or fatal injuries may occur.

---

---



---

### Type of risk!

Shows a risky situation. If the safety instruction is not observed, then medium or minor injuries may occur.

---

---

 **ATTENTION**

---

### Type of risk!

Shows a hazardous situation. If the safety instruction is not observed, then damage to the product or the surroundings may occur.

---

*Indicates important information or assistance.*

## 1.4 Depiction conventions

Explanation of the depictions used:



Correct design



Incorrect design

### 1.5 Basic standards and regulations

The latchable Magic cable tray systems fulfil the requirements of "EN 61537 VDE 0639:2007-09 – Cable management – Cable tray systems and cable ladder systems" for the low voltage area.

### 1.6 Applicable documents

For the statements of conformity, see

- <https://www.obo.global/service/downloads/declarations-of-conformity/>

Mounting instructions for different support structures:

- U support systems, see [www.obo.global/out/media/04-150\\_MA\\_U\\_support\\_systems.pdf](http://www.obo.global/out/media/04-150_MA_U_support_systems.pdf)
- I support systems, see [www.obo.global/out/media/04-150\\_MA\\_I\\_support\\_systems.pdf](http://www.obo.global/out/media/04-150_MA_I_support_systems.pdf)
- Universal systems, see [www.obo.global/out/media/04-150\\_MA\\_Universal\\_systems.pdf](http://www.obo.global/out/media/04-150_MA_Universal_systems.pdf)
- Trapezoidal systems, see [www.obo.global/out/media/04-150\\_MA\\_TP\\_support\\_systems.pdf](http://www.obo.global/out/media/04-150_MA_TP_support_systems.pdf)
- Clamp fastenings, see [www.obo.global/out/media/04-150\\_MA\\_Clamp\\_fastening\\_systems.pdf](http://www.obo.global/out/media/04-150_MA_Clamp_fastening_systems.pdf)

Mounting instructions, screw-on cable tray systems

[www.obo.global/out/media/04-100\\_MA\\_Screw-on%20cable%20tray%20systems.pdf](http://www.obo.global/out/media/04-100_MA_Screw-on%20cable%20tray%20systems.pdf)

## 2 Intended use

The latchable Magic cable tray systems are used to support and route all kinds of cables, taking the approved load values into account. Depending on the corrosion protection used, they can be mounted both indoors or outdoors.

The cable tray systems are suitable for use at ambient temperatures of  $-20\text{ °C}$  to  $+120\text{ °C}$ . At temperatures below  $-20\text{ °C}$ , the material will become brittle and may not be processed any further.

The latchable cable tray systems are not designed for any other purpose than the one described here. If the latchable cable tray systems are used for another purpose, any liability, warranty or damage claims shall be rendered null and void.

## 3 Safety

### 3.1 General safety information

Observe the following general safety information:

- Only have electrical work carried out by specialist personnel with electrical training.

- Risk of cutting from plate edges. Wear protective gloves.
- Design the latchable cable tray systems according to the loads to be expected.

### 3.2 Personal protective equipment

List of personal protective equipment to be used:



Use hand protection



Wear eye protection

## 4 Necessary tools

List of required tools:

- Angle grinder
- Drill/battery-operated screwdriver
- Torque spanner
- Screwdriver
- Hammer

## 5 System overview

### 5.1 System description

The latchable cable trays with the Magic connection system for routing cables are designed for high support loads. The widths vary according to the design, between 100 to 600 mm, and the side heights from 35 to 110 mm. The cable trays can be latched into each other in a form-fitting manner, using a pre-mounted spring element. Cut trays can be connected to each other using different connection methods, e.g. connectors for screwing or spring elements. Fittings can also be fastened to the trays either with a double clamp or screwed on. The selection of the matching cable tray system is dependent on the area of use and the cable load and volume to be routed.

The following latchable cable tray systems are available with strip galvanised (FS), hot-dip galvanised (FT) and stainless steel (A2/A4) surfaces:

- Rational RKSM Magic cable tray system
- MKSM and MKSMU medium-duty cable tray system
- SKSM and SKSMU heavy-duty cable tray system

The latchable cable trays are available in perforated and unperforated versions. The systems include connectors for latching or screwing on, fittings such as bends, add-on tees, T pieces, reducers/end pieces, cross-overs, as well as covers and other accessories.

The cable tray systems can be mounted on floors, walls and ceilings on various support systems. The mounting of the support systems is described in separate mounting instructions, see „1.6 Applicable documents“ on page 6.

### 5.2 Cable trays

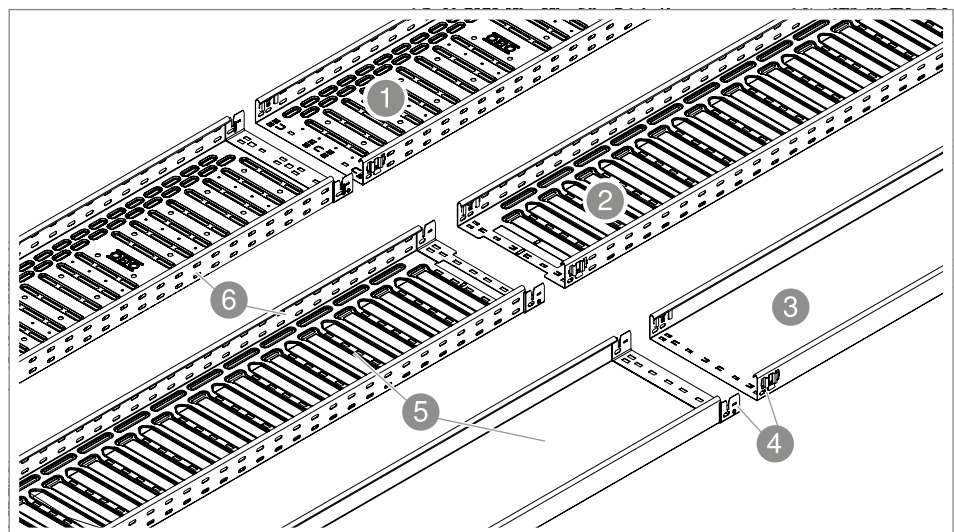


Fig. 1: Perforated and unperforated trays

- ① Perforated cable tray (RKSM)



- ② Perforated cable tray (MKSM/SKSM)
- ③ Unperforated cable tray (MKSMU/SKSMU)
- ④ Latchable Magic connection
- ⑤ Cable tray base
- ⑥ Cable tray rail with rounded rail edge

### 5.3 Connectors

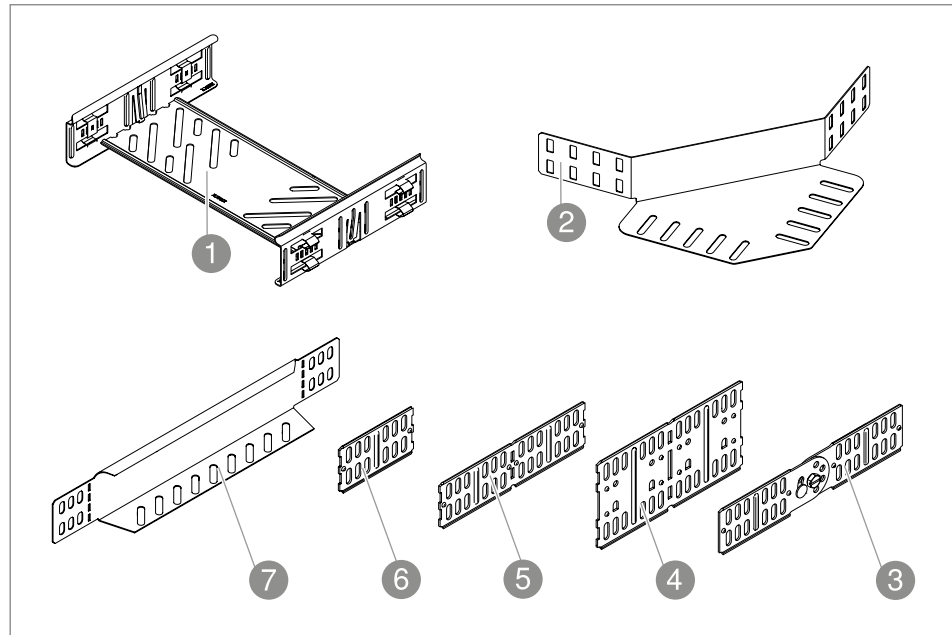


Fig. 2: Overview of connectors

No.	Designation/type	Function	Application
①	KTSMV straight connector	Latchable straight connection for cut trays	All cable tray heights
②	REV corner connector	Creation of 90° bend for cables with large bend radius, screwed-on	All cable tray heights
③	RGV adjustable connector	Vertical change of direction, screwed	All cable tray heights
④	RLVL straight and angle connector	Screwed straight connection and horizontal change of direction	Cable tray height 85 and 110 mm
⑤	RWVL angle connector	Horizontal change of direction, screwed	Cable tray height 35 and 60 mm
⑥	RLVK straight connector	Screwed-on straight connection	Cable tray height 35 and 60 mm
⑦	Reducer/stop-end	End of cable tray, cable tray width reduction	All cable tray heights

Tab. 1: Overview of connectors

## 5.4 Fittings

The fittings can be used for latchable or screw-on cable trays in the widths 100–600 mm and the heights 35, 60, 85 and 110 mm. They can also be connected to the trays using double clamps, type DOP A2, or with FRS truss-head bolts with combined nuts. All fittings have integrated joint plates with additional beading to protect the cables. The joint plates can also be screwed to the tray with FRS truss-head bolts and combined nuts.

### 45° and 90° bends

To create horizontal changes of direction at 45° or 90° angles.

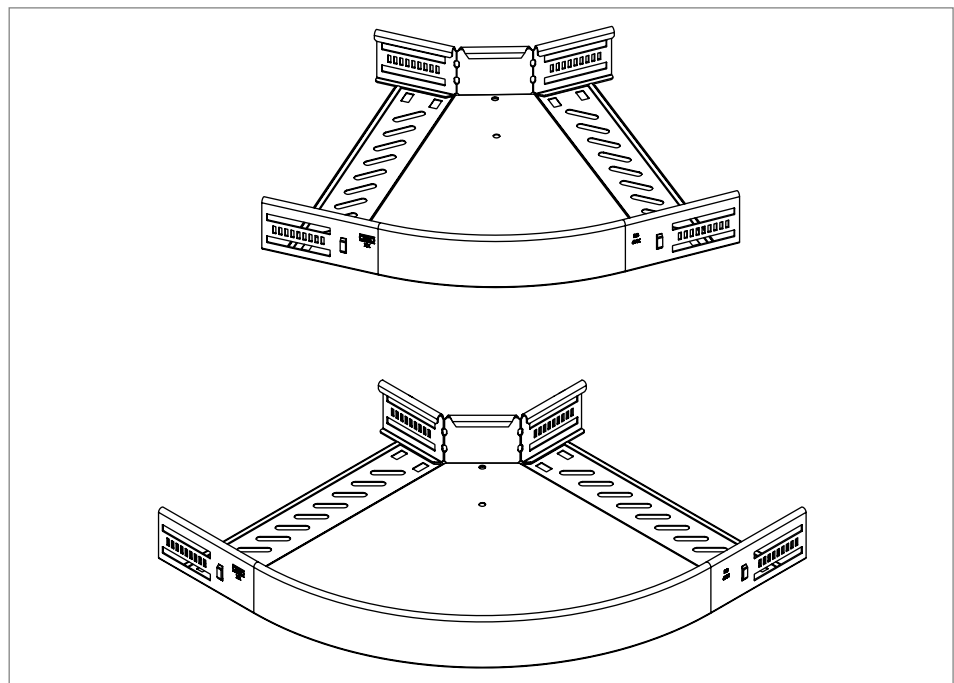


Fig. 3: 45° and 90° bends

### Angle-adjustable bend

To create horizontal changes of direction at 0°–90° angles for cables.

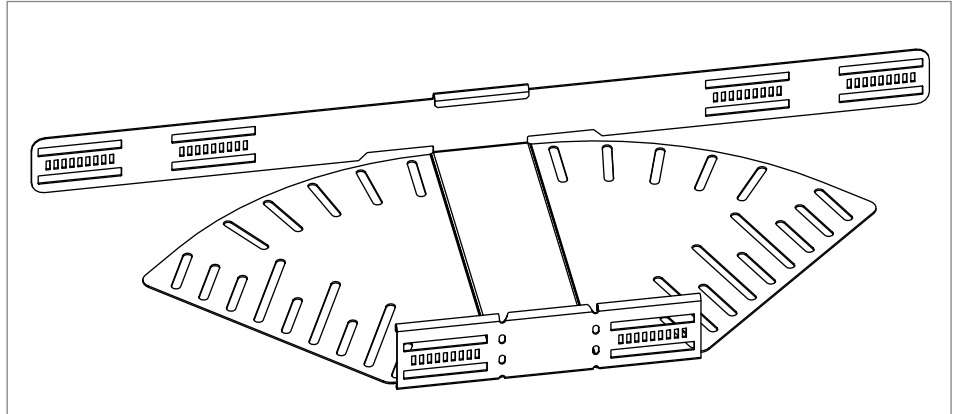


Fig. 4: Angle-adjustable bend

### Add-on tee

To create a horizontal branch at a 90° angle and to create cross-overs.

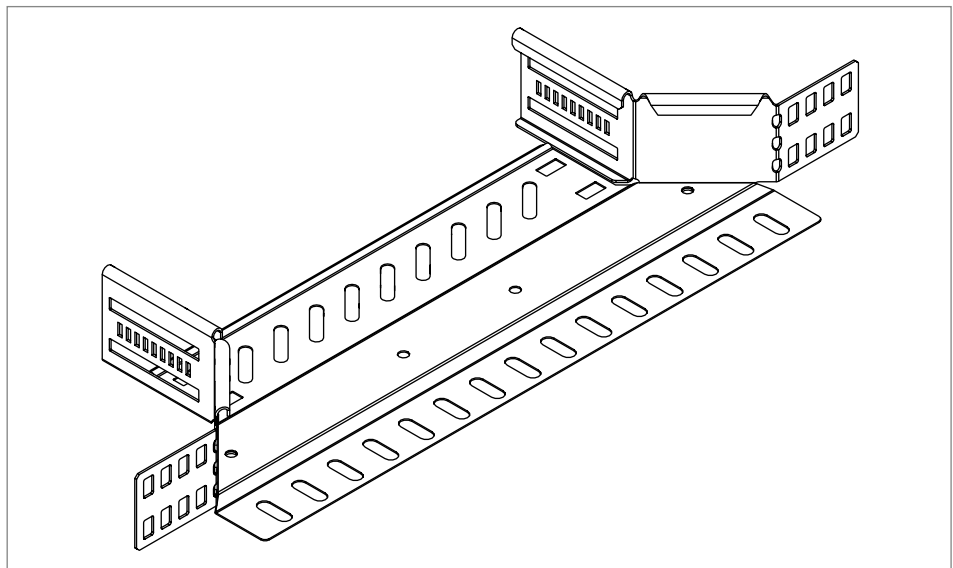


Fig. 5: Add-on tee

### T piece

To create a horizontal branch at a 90° angle.

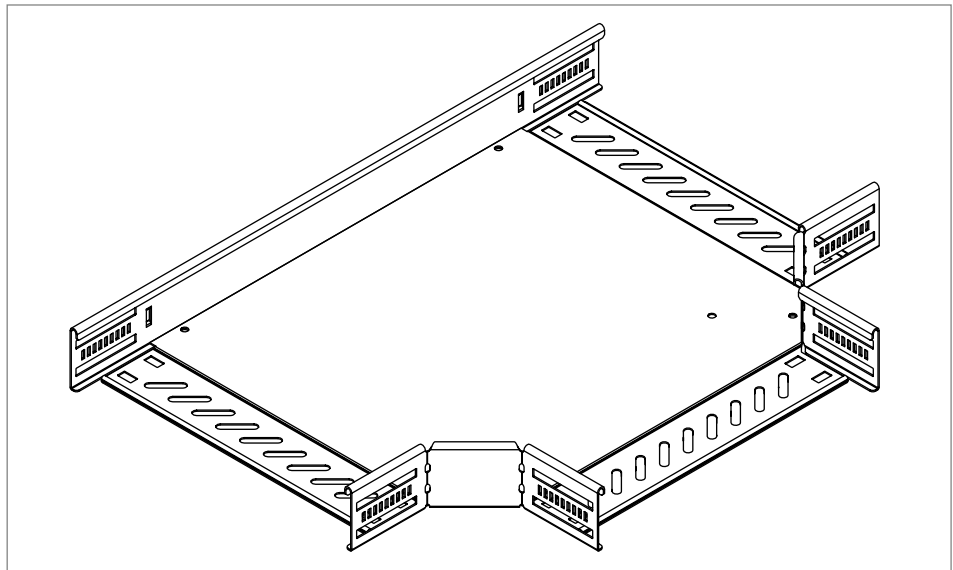


Fig. 6: T piece

### Cross-over

To create multiple horizontal branches at a 90° angle.

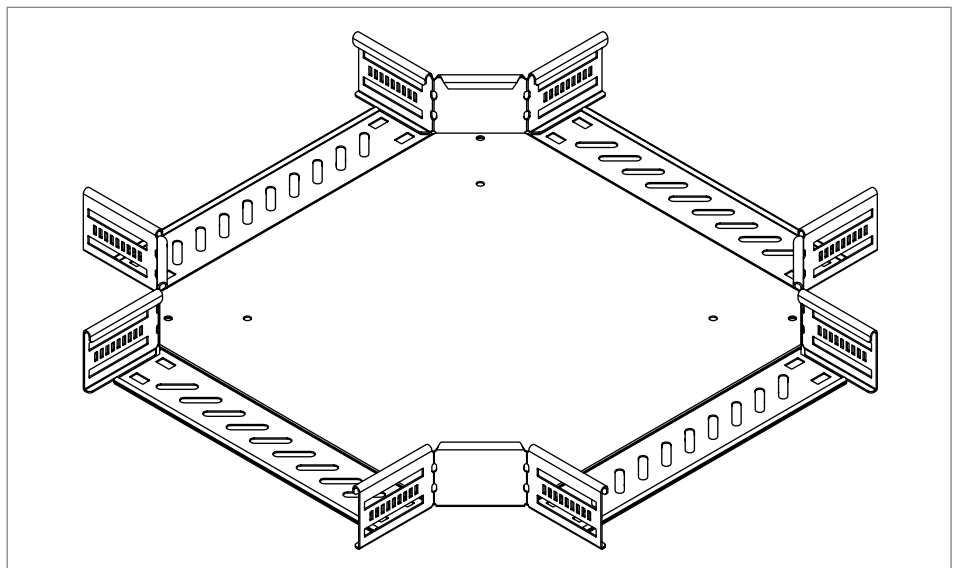
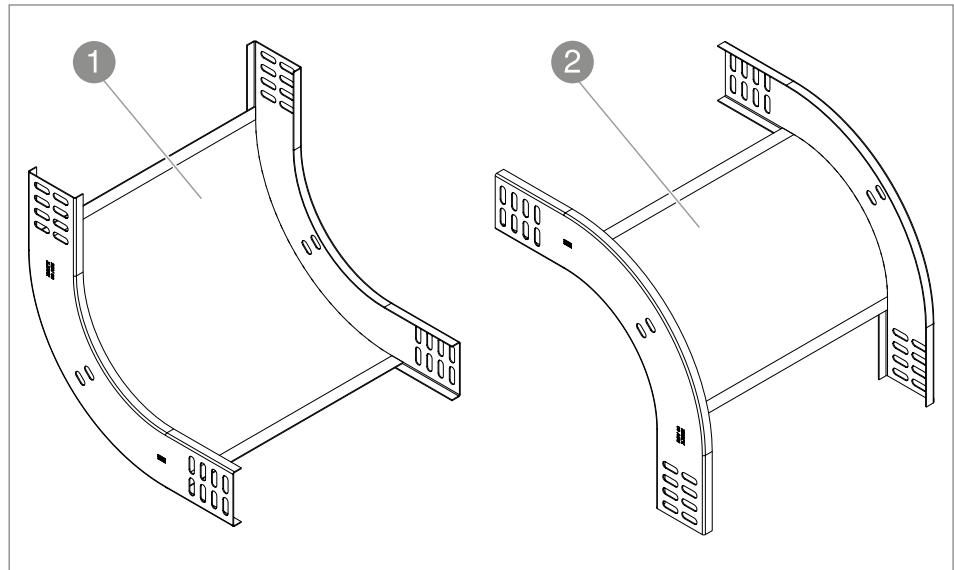


Fig. 7: Cross-over

### Vertical bend, rising/vertical bend, falling

To create a vertical change of direction, rising or falling.



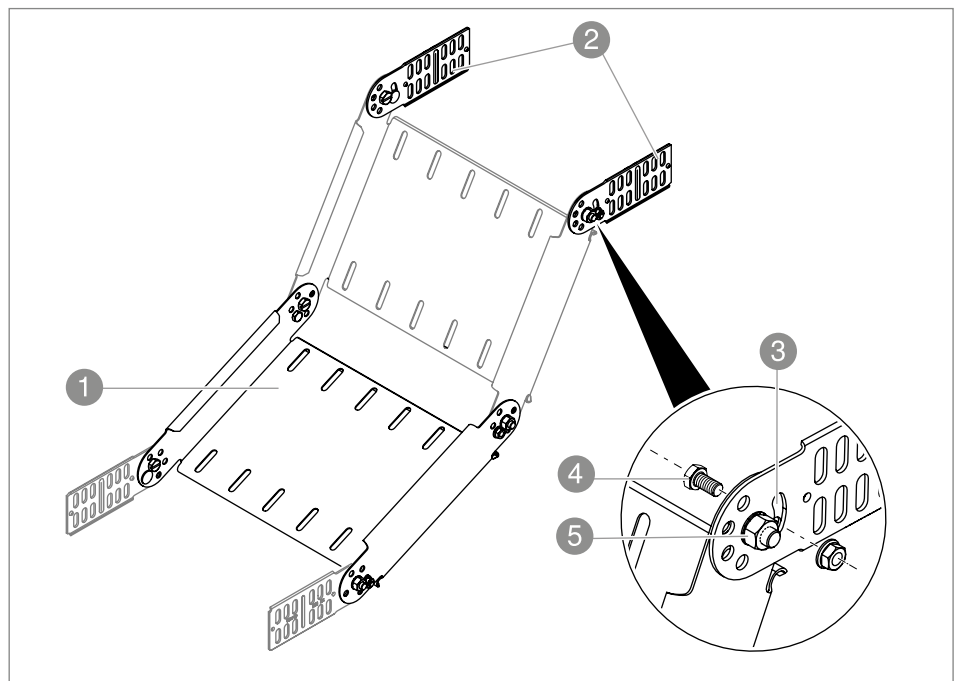
**Fig. 8:** Vertical bend, rising/falling

① Vertical bend, rising

② Vertical bend, falling

### Adjustable bend element, vertical

To create vertical height offsets.



**Fig. 9:** Adjustable bend made of adjustable bend elements

No.	Designation/type	Function	Application
①	Adjustable bend element, compensation of height offset	Creation of vertical bends with flexible radii	100–600 mm tray width
②	Half adjustable connectors	Connection of adjustable bend element with cable tray	100–600 mm tray width
③	Curved slot	Variable adjustment of the angle	
④	SKS M6 securing screw	Angle fixing	
⑤	SKS hinge screw M8 x 16	Adjustable bend element fastening	

Tab. 2: Overview of adjustable bend elements

## 5.5 Covers for cable trays

Covers for cable trays are available without fastening material or with pre-mounted turn buckles.

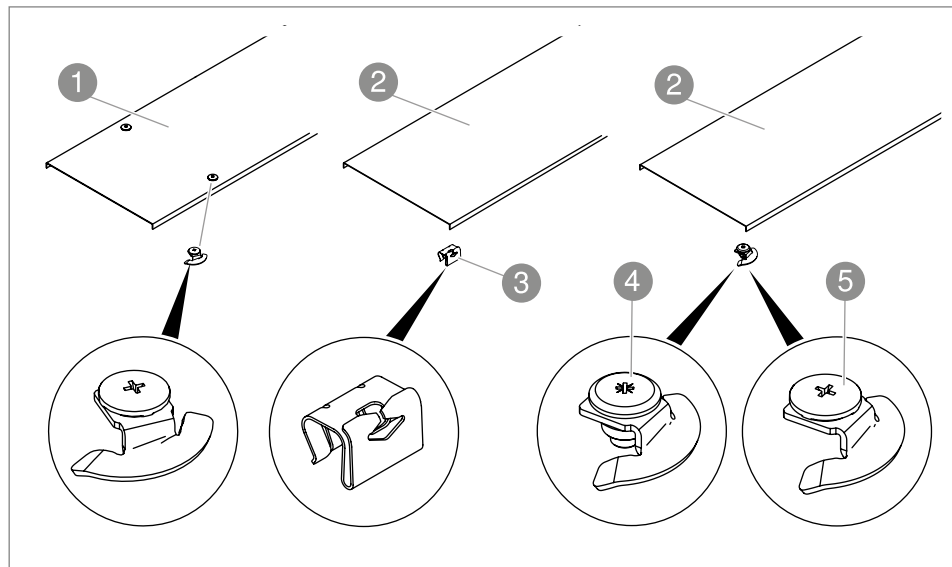


Fig. 10: Covers with fastening material for cable trays

No.	Designation/type	Function	Application
①	Cover with pre-mounted turn buckles	Cover with pre-mounted turn buckles Protection against weathering and dirt	100–600 mm tray width
②	Cover, unperforated	Protection against weathering and dirt	100–600 mm tray width
③	DK DRLU cover clamp	Cover fastening, mounting on the cover with clamps	Perforated and unperforated covers
④	DRL H S turn buckle	Cover fastening, mounting on the cover with clamps	Perforated and unperforated covers
⑤	DRL H turn buckle	Cover fastening, mounting on the cover with rivets	Perforated and unperforated covers

Tab. 3: Overview of covers and fastening material

## 5.6 Covers for fittings

Covers are available for 45° and 90° bends, angle-adjustable bends, T pieces, add-on tees and cross-overs. Depending on the version, the fitting cover is mounted on the cable tray with turn buckles pre-mounted at the factory and is additionally held by support of the path cover or held exclusively by the path cover.

1 pre-mounted turn buckle each.

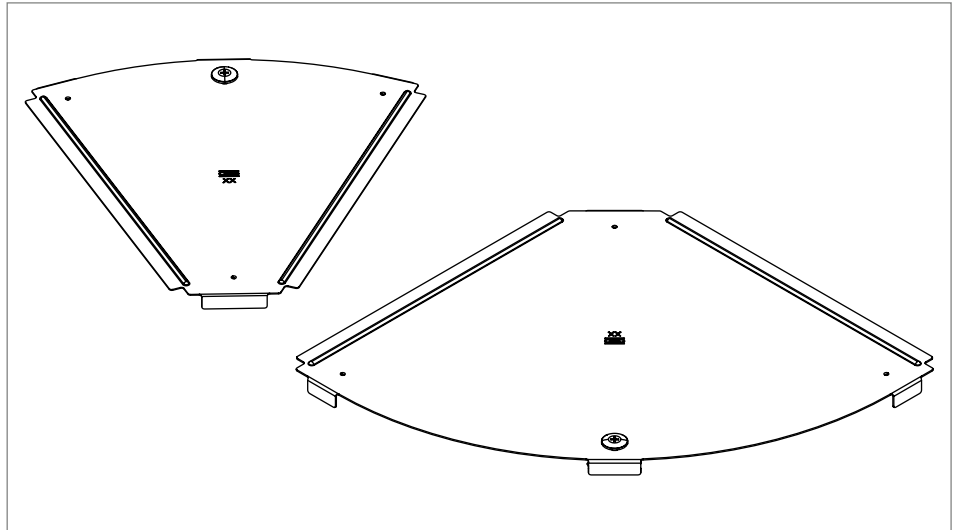


Fig. 11: 45° and 90° bend covers

### Angle-adjustable bend cover

With 2 pre-mounted turn buckles.

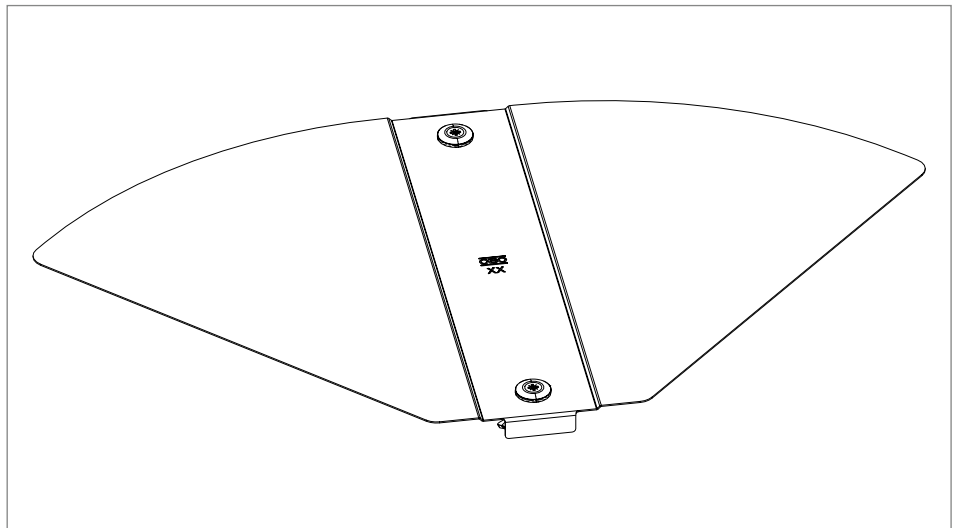


Fig. 12: Angle-adjustable bend cover

### T piece and add-on tee cover

T piece with 1 pre-mounted turn buckle, add-on tee without pre-mounted turn buckle.

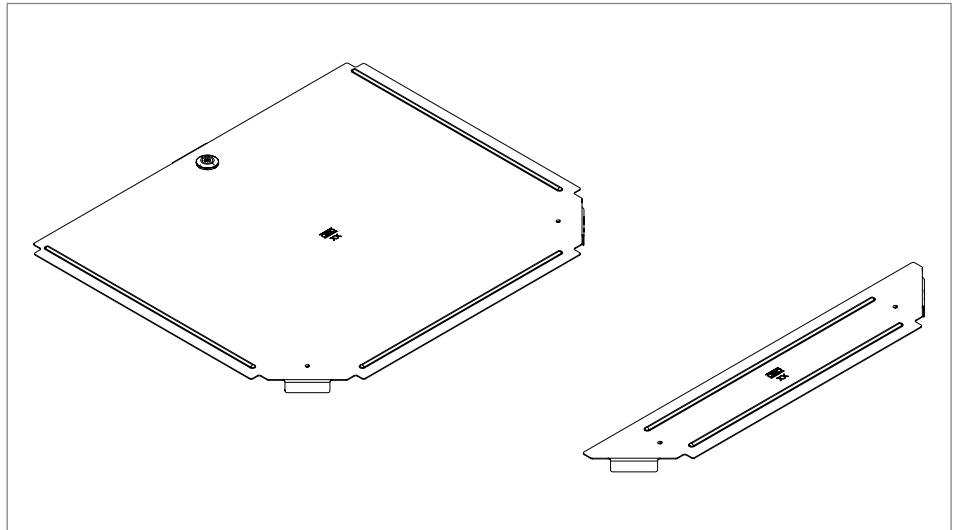


Fig. 13: T piece and add-on tee cover

### Cross-over cover

Without pre-mounted turn buckle.

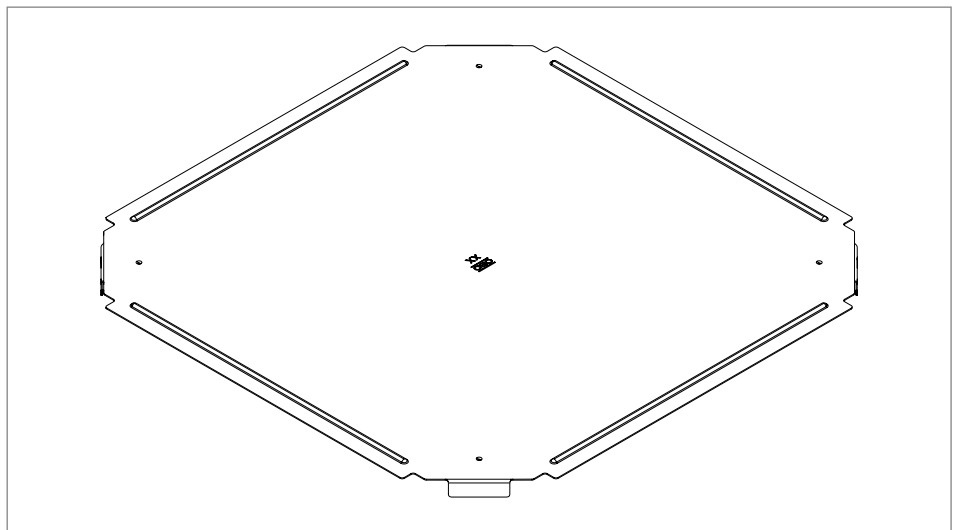
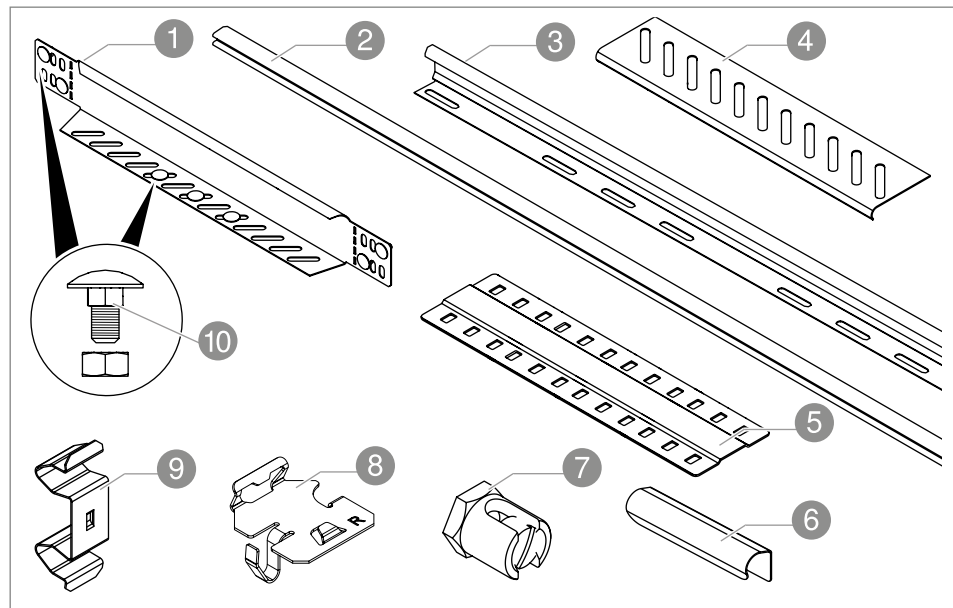


Fig. 14: Cross-over cover



## 5.7 Accessories



**Fig. 15:** Accessories

No.	Designation/type	Function	Application
①	Reducer/stop-end	End of cable tray, cable tray width reduction	All tray types
②	Edge protection strip	Cover of cut cable tray edges, protection against cable damage	All tray types
③	TSG barrier strip	Separation of cables of different voltages or functions	All tray types
④	Bottom end plate	Creation of cable exit	All tray types
⑤	Joint plate	Connection of cable tray bases at the joint	All tray types
⑥	Barrier strip connector	Straight connection of 2 barrier strips	All tray types
⑦	Earthing terminal	Creation of equipotential bonding	All tray types
⑧	Hold-down clamp for barrier strips	Screwless installation of barrier strips	RKSM trays
⑨	DOP double clamp	Fastening of fitting to cable tray	All tray types
⑩	FRS truss-head bolt	Fastening fitting to cable tray, fastening joint plate	All tray types

**Tab. 4:** Overview of accessories

## 6 Installation

The mounting of the support systems for the cable tray systems takes place according to the local circumstances and the planned loads. The mounting of the different support systems is shown in separate mounting instructions, see „1.6 Applicable documents“ on page 6.

The drawings regarding the mounting of the latchable cable tray systems show either perforated or unperforated cable trays. All the connectors, fittings and accessories shown can be mounted on both perforated and unperforated cable trays. If unperforated cable trays are cut, then the connector perforation must be re-drilled.

When mounting the FRS truss-head bolts and SKS hexagonal bolts made of steel or stainless steel from OBO Bettermann, the following tightening torque must be applied:

Thread	Tightness class 5.6	Tightness class 8.8
M6	4.80 Nm	11.30 Nm
M8	11.60 Nm	27.30 Nm

**Tab. 5:** Torques for steel screws from OBO Bettermann

Thread	Resistance grade 570	Resistance grade 80
	Friction coefficient 0.14	Friction coefficient 0.14
M6	9.70 Nm	12.90 Nm
M8	23.60 Nm	31.50 Nm

**Tab. 6:** Torques for stainless steel screws from OBO Bettermann

### 6.1 Cutting the cable tray

Cut the cable trays according to the local circumstances.

#### **X CAUTION**

#### **Risk of cutting!**

During cutting work, metal chips or sharp cut edges can cause injuries to eyes and hands!

- Wear protective glasses and gloves.
- Deburr cut edges.

1. Cut cable trays to the desired length, e.g. using an angle grinder.
2. Deburr cut edges.

#### **Note!**

*If cable trays are cut, the corrosion protection at the cut edges must be renewed with zinc spray, e.g. type ZSF zinc touch-up spray, item no. 2362970 or type ZABF zinc touch-up paint, item no. 2362979.*

## 6.2 Mounting the joint plate

To avoid transverse bending at higher loads, a joint plate must be used for tray widths of 400 mm or more in the joint area of the cable trays that are to be connected. Up to a tray width of 300 mm, the mounting of the joint plate is optional. The joint plate is mounted after the connectors have been mounted. The joint plate is fastened with FRS M6 truss-head bolts and combination nuts.

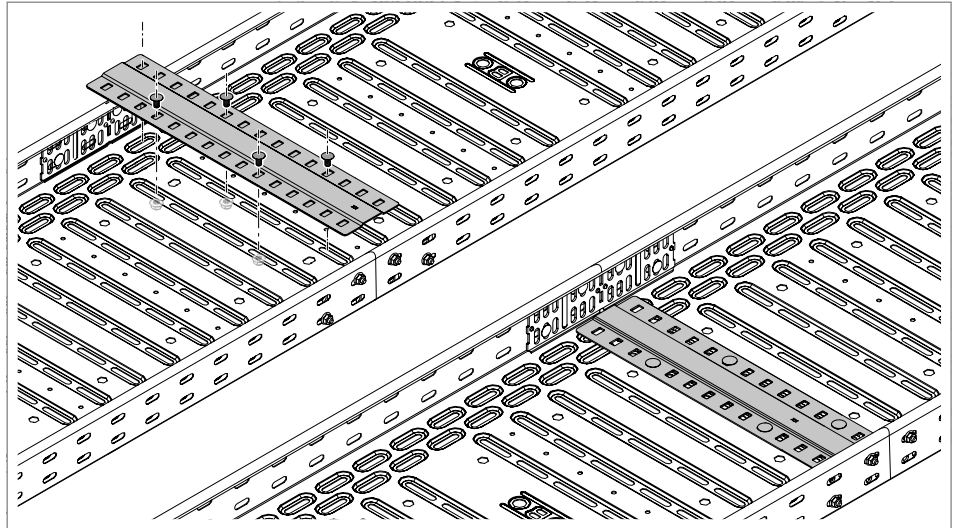


Fig. 16: Mounting the joint plate

1. Place the joint plate centrally on the joint area of the cable trays.
2. Screw on the joint plate.

## 6.3 Applying the edge protection strip

To avoid damage to cables, edge protection strip is attached at cut edges of cable trays, if no joint plates or bottom end plates are to be mounted.

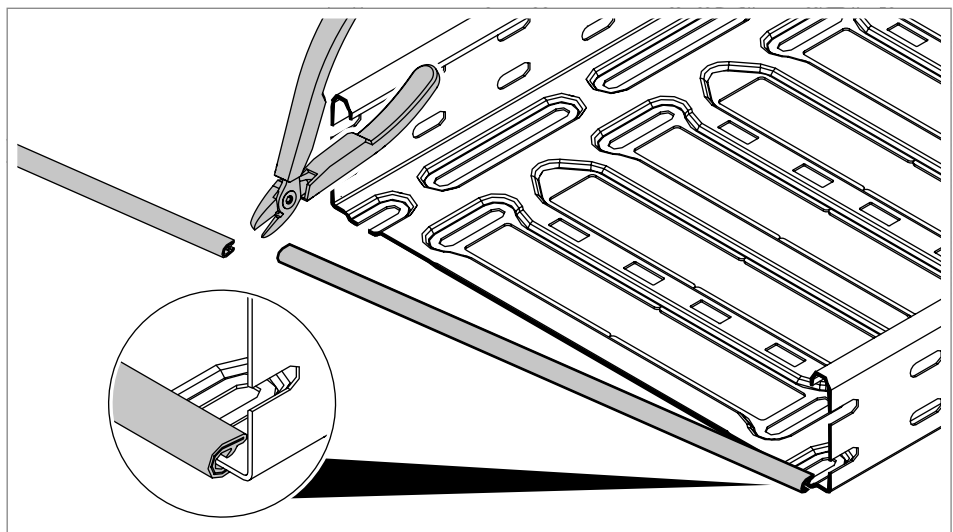


Fig. 17: Applying the edge protection strip

1. Cut the edge protection strip to size.
2. Clamp the edge protection strip to the edge of the cable tray.

## 6.4 Connecting cable trays

Cable trays are connected in a straight or angled direction using various connectors. Straight connectors connect cable trays lengthwise. Angle connectors can be used to route trays horizontally at angles of different sizes or to create corners. Adjustable connectors create rises or falls.

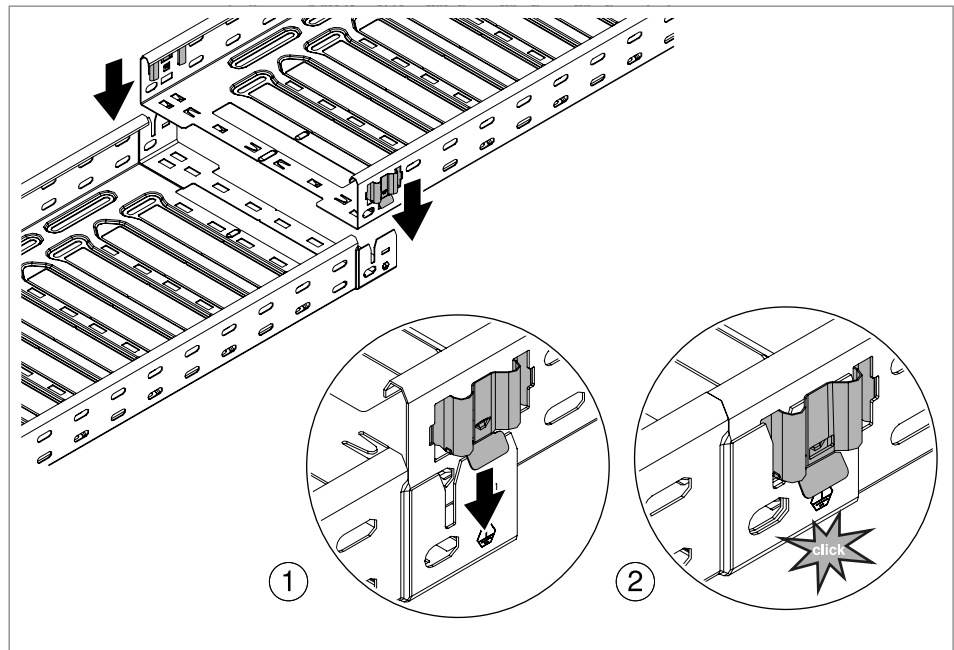
### ATTENTION

#### Risk of damage!

Screws can damage cables. Always pass fastening screws through the rail from the inner side of the cable tray and secure with combination nuts on the outer side of the cable tray.

### 6.4.1 Creating a straight connection with the latchable Magic connection

The Magic connection consists of attached connectors at the cable tray ends, which are latched into each other without tools using a pre-mounted spring element, creating a form-fitting connection.

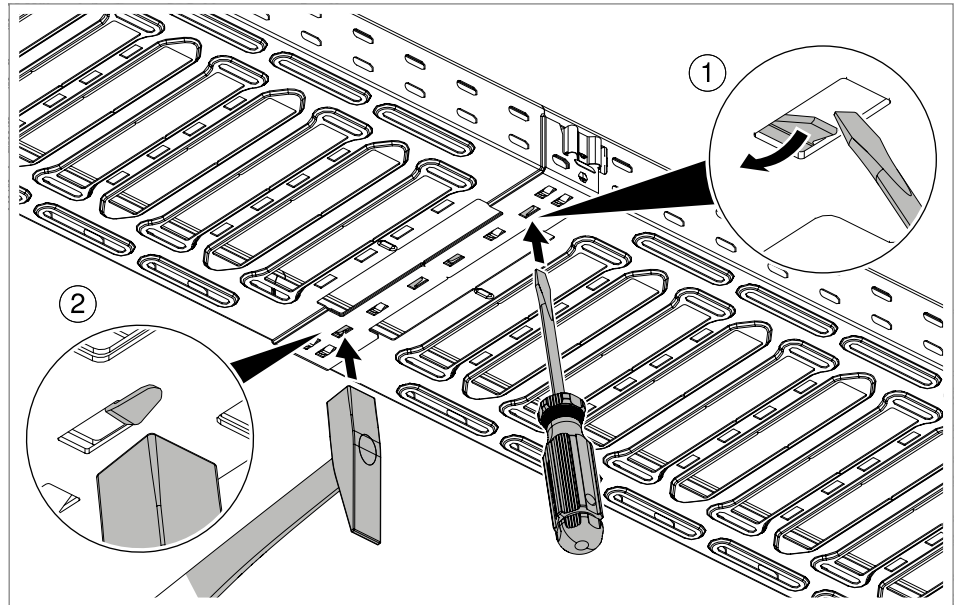


**Fig. 18:** Latchable Magic connection with spring element

1. Insert the cable tray with pre-mounted spring element from above into the cable tray with attached connector.
2. Latch in the cable tray.

## Securing the connection

For a cable width  $\geq 400$  mm, the attached connection shackles must be bent to ensure sufficient stability of the connection. For RKSM 6 cable trays and onwards that are used for the maintenance of electrical function, all connection shackles must be bent for all cable widths.



**Fig. 19:** Securing the tray connection

1. Fold down the strap on the underside of the cable tray using a screwdriver ①.
2. Secure the strap by hitting it ②.
3. Repeat the process with at least 1 more strap.

**Note!**

*The connection shackles can be bent back a maximum of 3 times. Any more attempts run the risk of the straps breaking off.*

## 6.4.2 Creating a straight connection for cut cable trays

### Screwless straight connection with KTSMV straight connector

The KTSMV straight connector is used for straight connections of cut cable trays. The connector can be mounted using a double clamp, without screws.

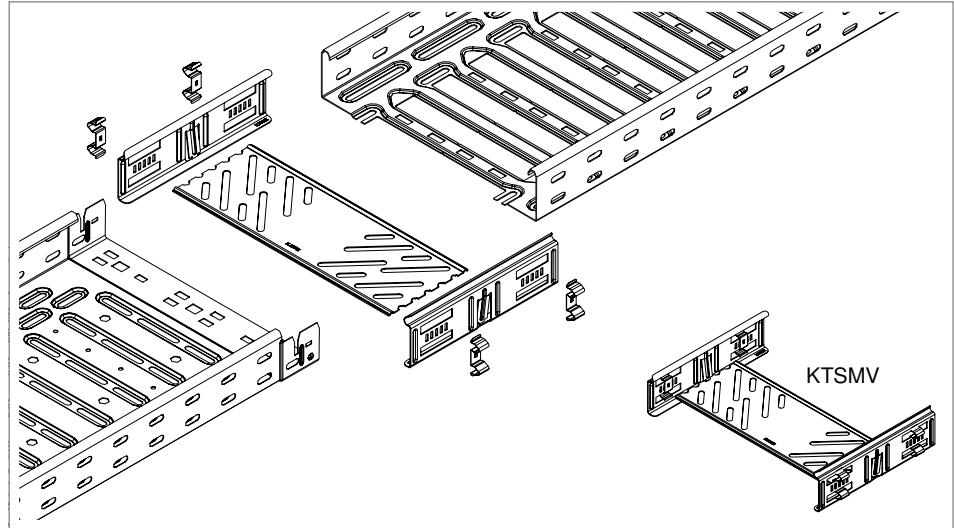


Fig. 20: KTSMV straight connector

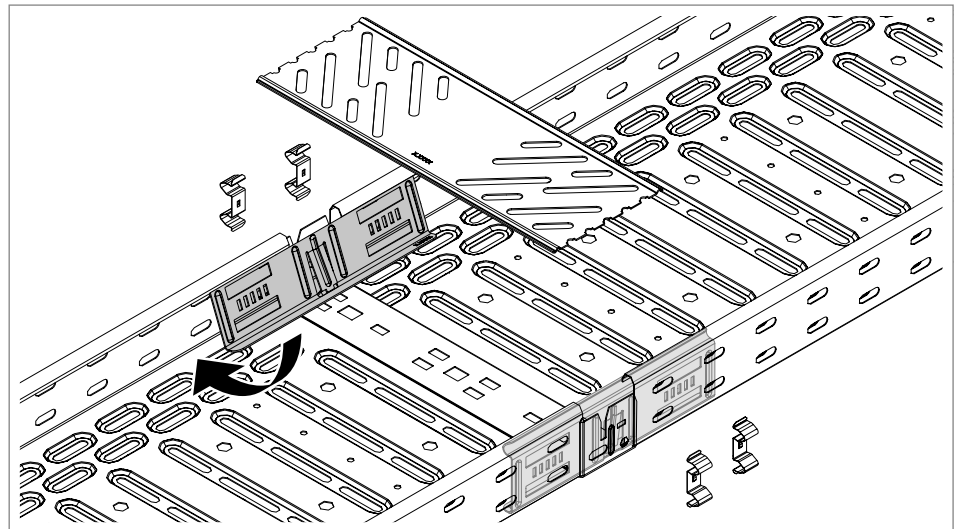
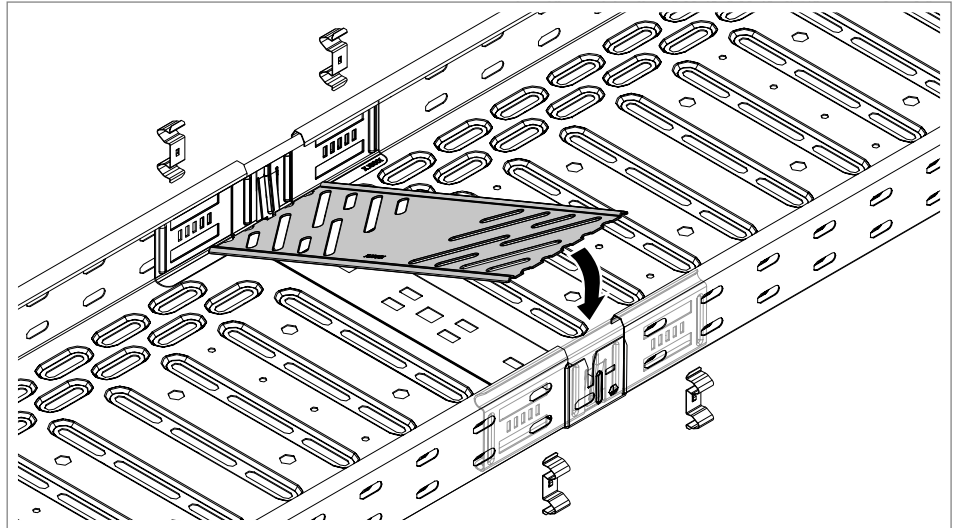


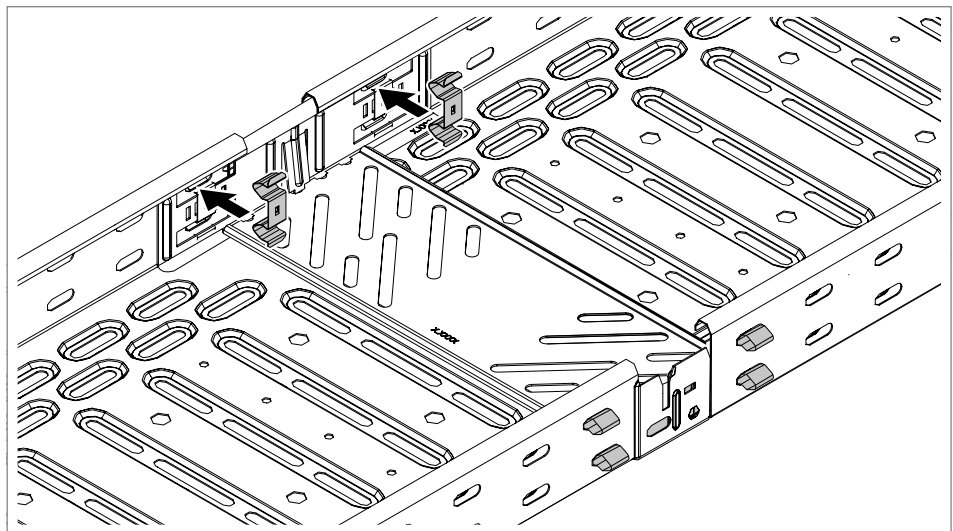
Fig. 21: Inserting the KTSMV straight connector

1. Insert the straight connector into the inside of the rail.



**Fig. 22:** Inserting the joint plate of the KTSMV straight connector

2. Insert the joint plate.

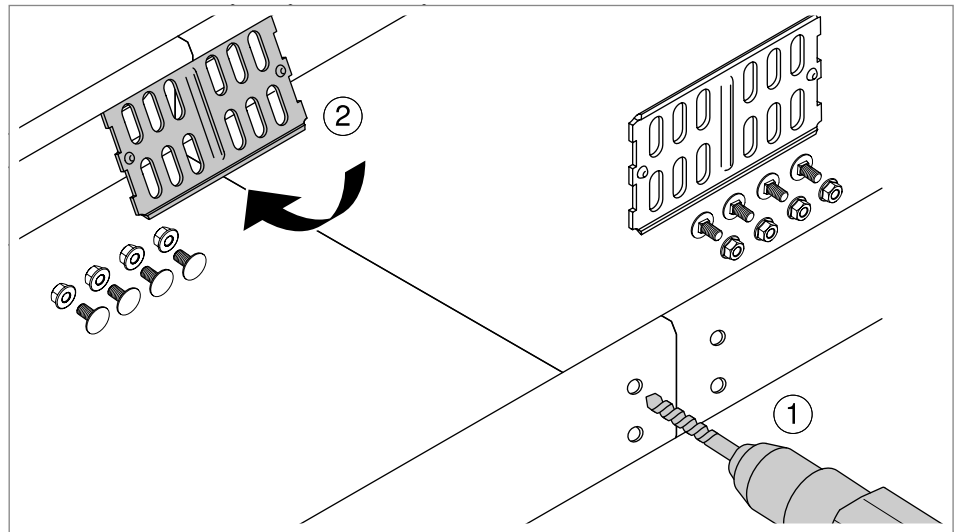


**Fig. 23:** Fixing the connector with double clamps

3. Insert double clamps through the connector from the inside of the cable trays.

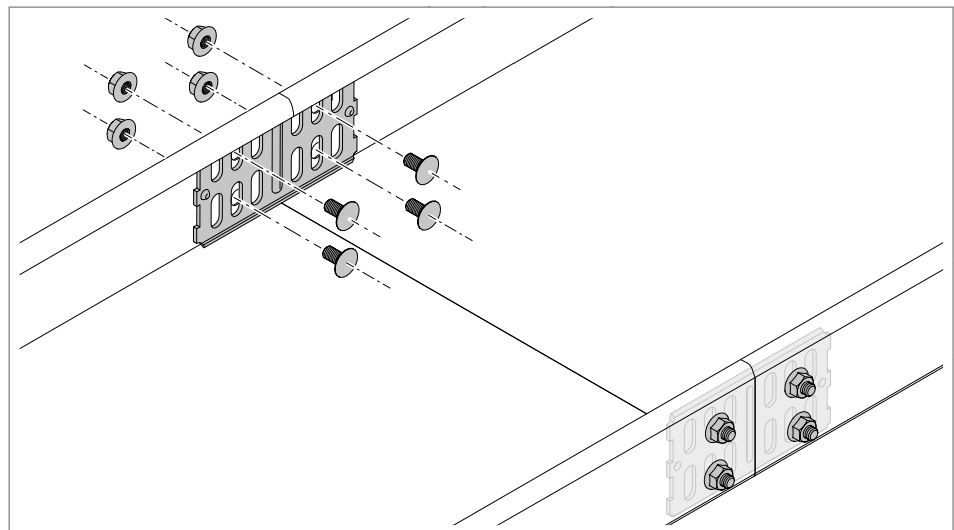
### Straight connection with RLVK straight connector

The RLVK straight connector is used with the cable tray heights 35 and 60 mm. The connector is fastened with FRS M6 truss-head bolts and combination nuts.



**Fig. 24:** Inserting the RLVK straight connector

1. When using unperforated cable trays, drill holes for straight connectors.
2. Insert the straight connector into the inside of the rail.



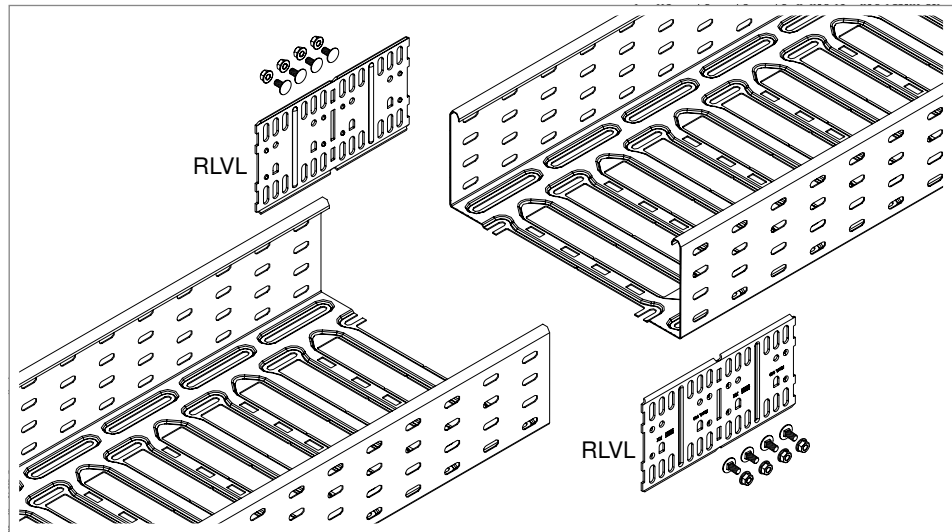
**Fig. 25:** Screw on the RLVK straight connector

3. Screw on the straight connector.

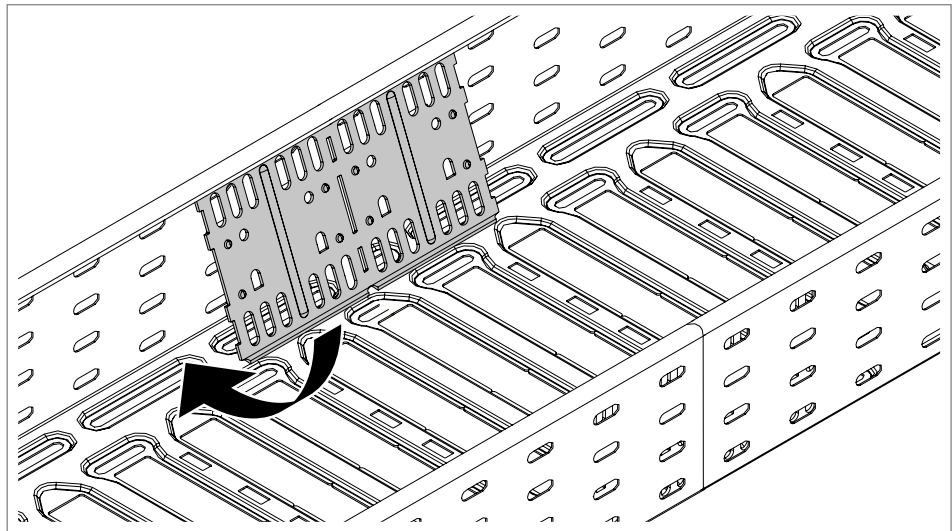


### Straight connection with RLVL straight and angle connector

The RLVL straight and angle connector is used with the cable tray heights 85 and 110 mm. The connector is mounted with FRS M6 truss-head bolts and combination nuts.

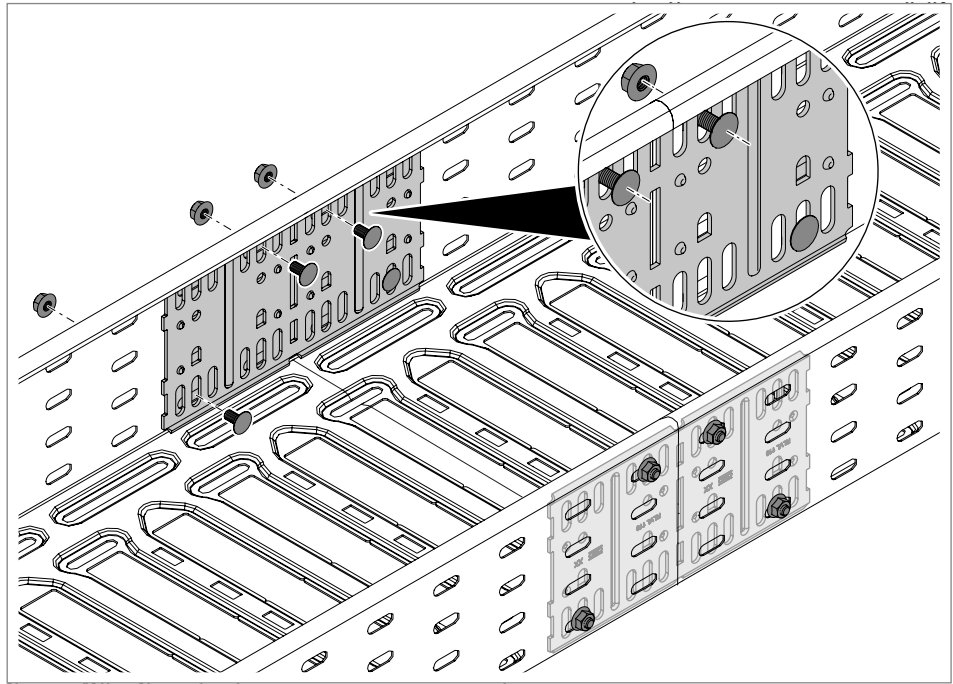


**Fig. 26:** RLVL straight and angle connector



**Fig. 27:** Inserting RLVL straight and angle connector

1. Insert the straight connector into the inside of the rail.

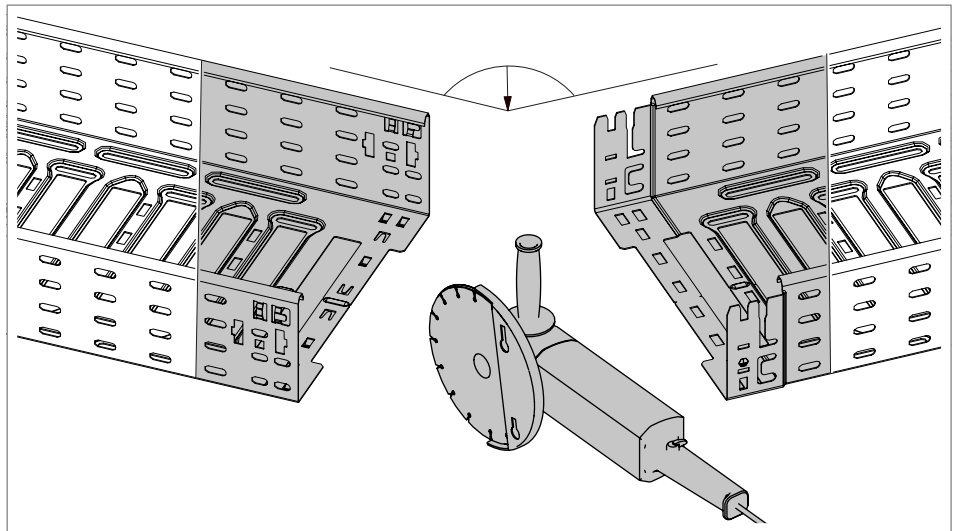


**Fig. 28:** Screwing on the RLVL straight connector

2. Screw on the straight connector.

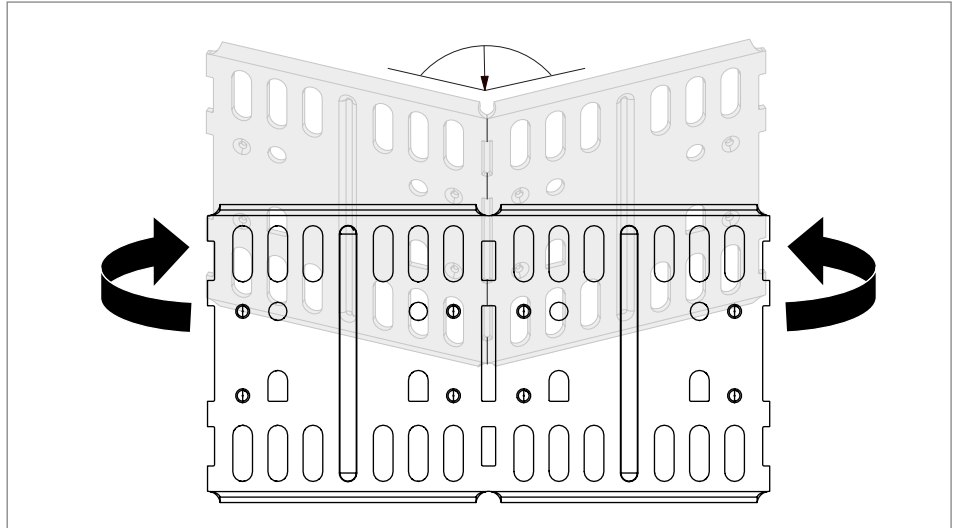
### 6.4.3 Creating an angle connection for cut cable trays

#### Angle connection with RLVL straight and angle connector



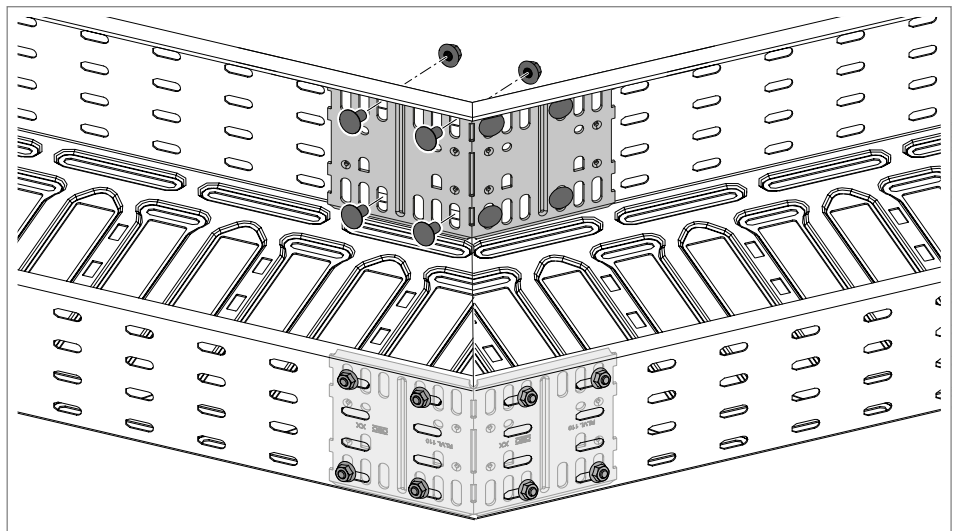
**Fig. 29:** Cutting a cable tray to create an angle

1. Measure the angle and draw it onto the cable trays accordingly.
2. Cut the cable trays with an angle grinder.



**Fig. 30:** Bend the RLVL straight and angle connector

3. Bend the angle connector into the desired angle.

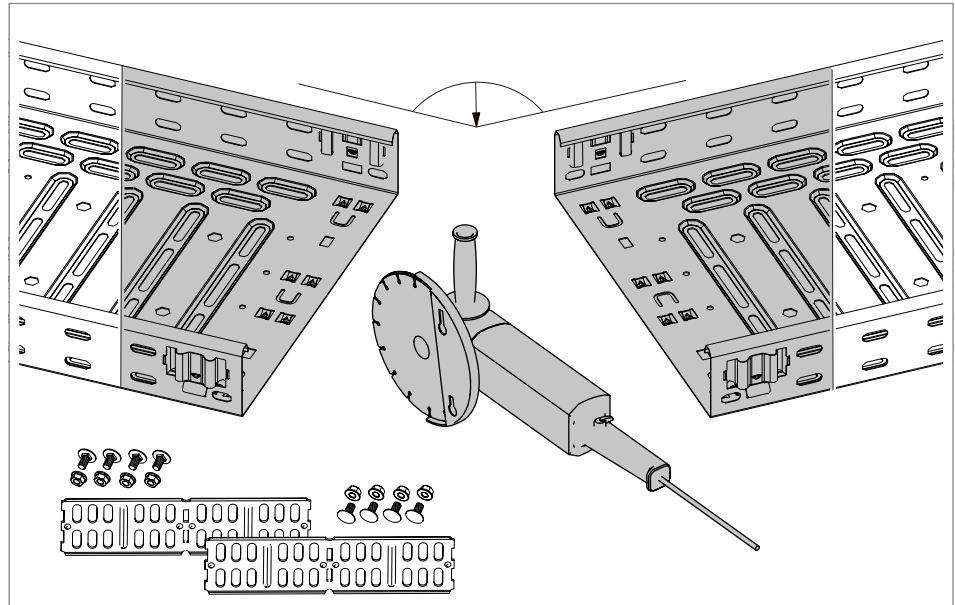


**Fig. 31:** Screw on the RLVL straight and angle connector

4. Insert the angle connector on the inner sides of the rail.

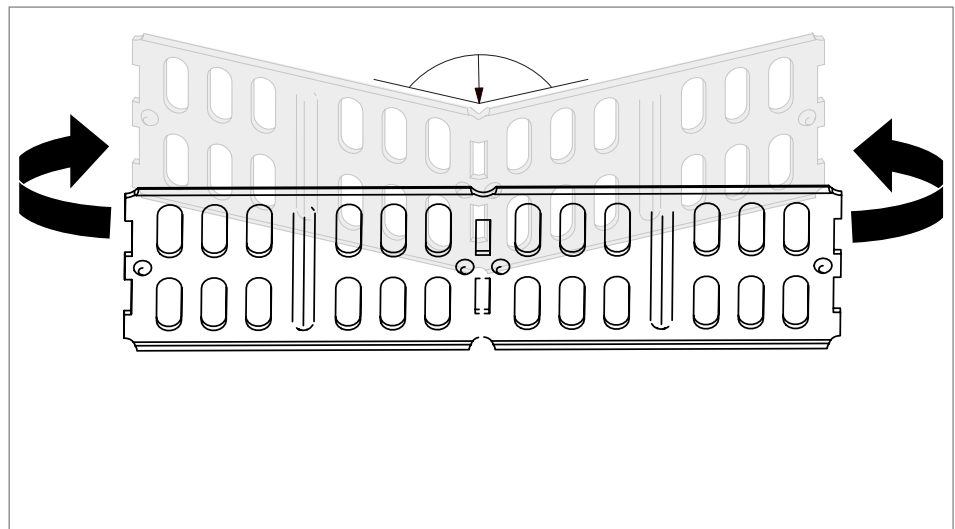
5. Screw on the angle connector.

### Angle connection with RWVL straight and angle connector



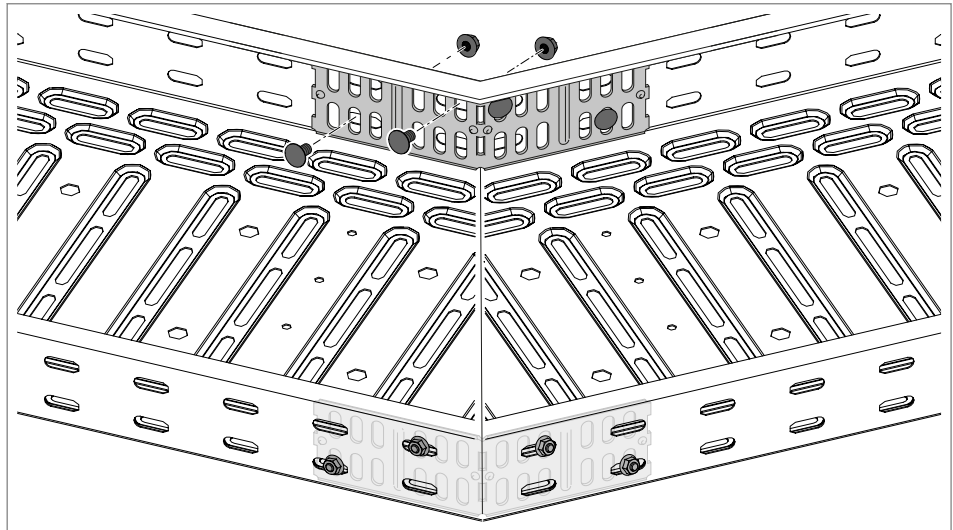
**Fig. 32:** Cutting a cable tray to create an angle

1. Measure the angle and draw it onto the cable trays accordingly.
2. Cut the cable trays with an angle grinder.



**Fig. 33:** Bending the RWVL straight and angle connector

3. Bend the straight and angle connector into the desired angle.

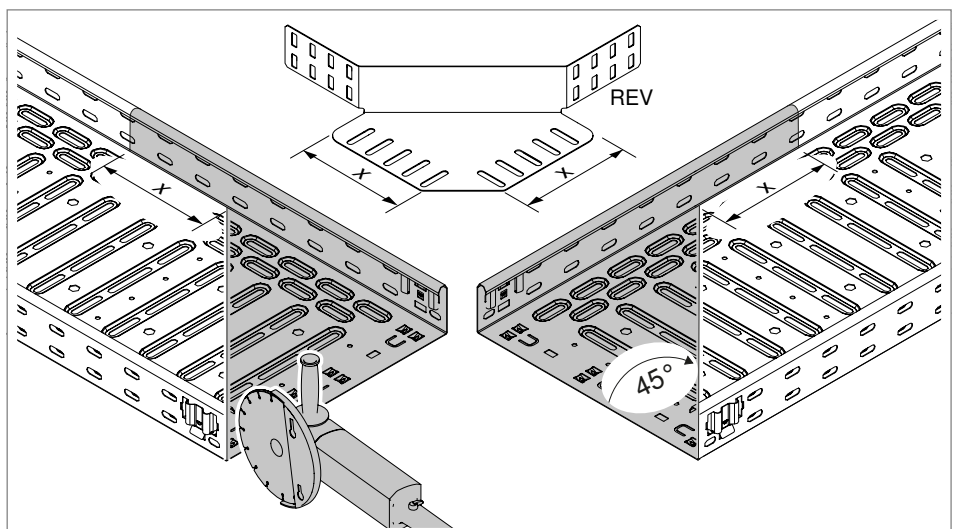


**Fig. 34:** Screwing on the RWVL straight and angle connector

4. Insert the angle connector on the inner sides of the rail.
5. Screw on the angle connector.

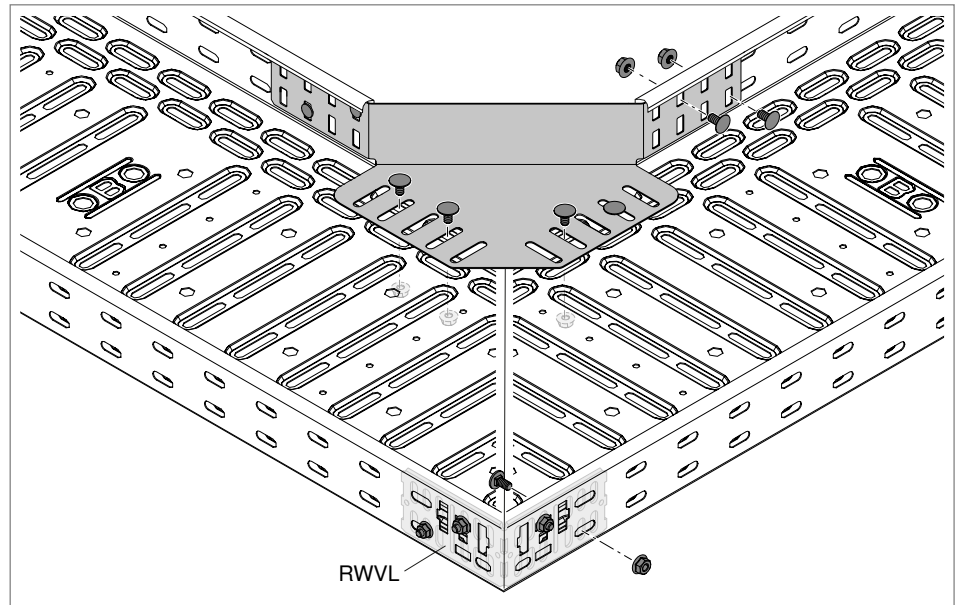
### 90° internal corner with REV corner connector

The REV corner connector is mounted to create 90° internal corners with a large radius, allowing the maintenance of the minimum cable bend radii. The REV corner connector is used with the cable tray heights 35, 60 and 110 mm. The connector is screwed on with FRS M6 truss-head bolts and combination nuts.



**Fig. 35:** Cutting cable trays for the REV corner connector

1. Cut the cable trays at a 45° angle and notch out the cable tray rails with the dimension  $x = 100$  mm.



**Fig. 36:** Mounting the REV corner connector

2. Insert the straps of the corner connector in the inner sides of the rail.
3. Screw the corner connector to the rail and tray base.
4. Insert an RWVL straight and angle connector in the external corner on the inner sides of the rail.
5. Screw on the RWVL straight and angle connector.

## Creating a vertical connection (RGV)

The RGV adjustable connector is mounted to create vertical connections of angles of up to 90° for rising or falling sections. The RGV adjustable connector is used with all cable tray heights. In addition, bottom end plates are mounted to avoid cable damage due to sharp edges. Alternatively, KSB edge protection strip can also be attached. Connectors and bottom end plates are screwed on with FRS M6 truss-head bolts and combination nuts.

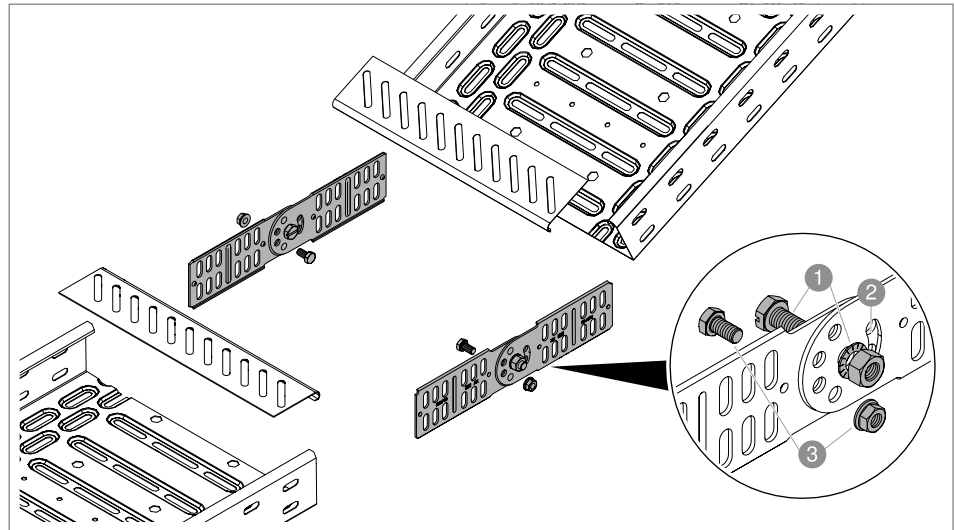


Fig. 37: RGV adjustable connectors and bottom end plates

- ① SKS hinge screw M8x16 mm
- ② Slot
- ③ SKS M6 securing screw

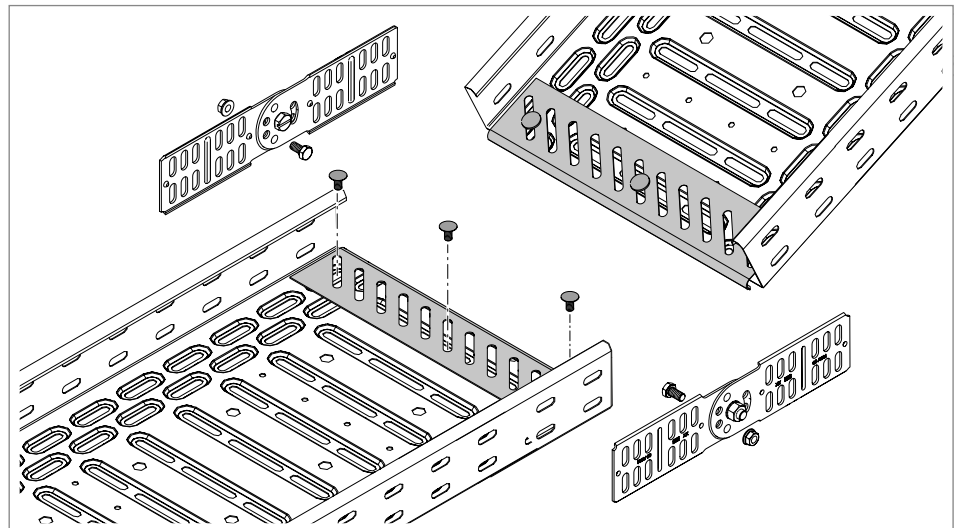
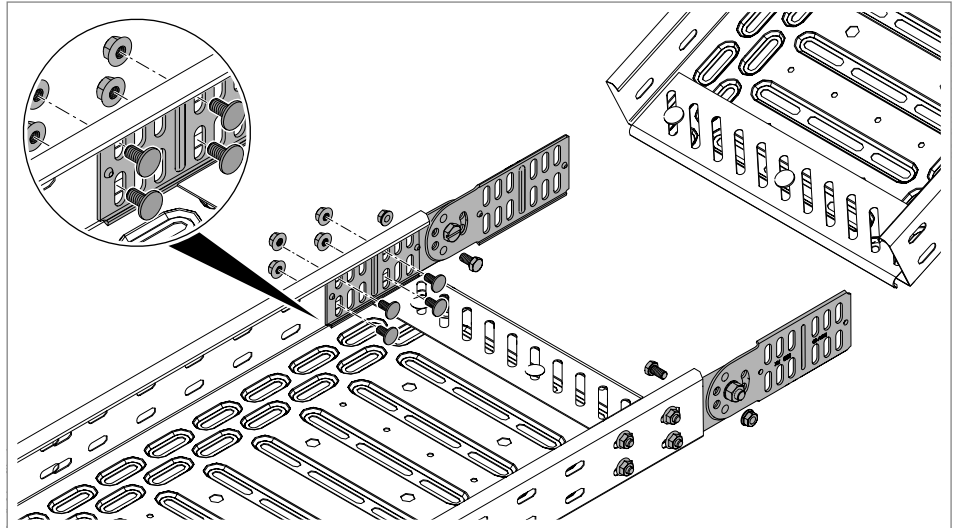


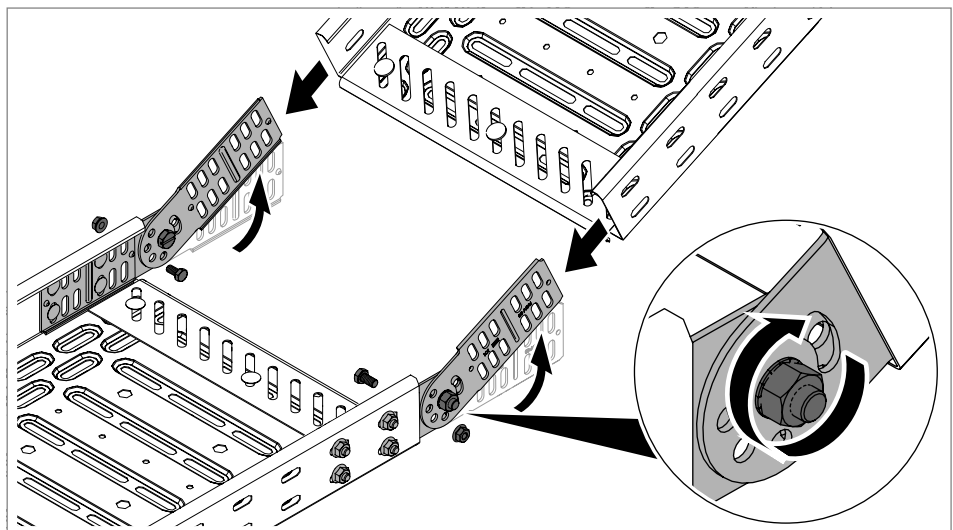
Fig. 38: Screwing on the bottom end plates

1. Pre-drill unperforated cable trays for the mounting of the bottom end plates.
2. Screw the bottom end plates to the ends of the cable trays.



**Fig. 39:** Screwing on the RGV adjustable connector to the cable tray

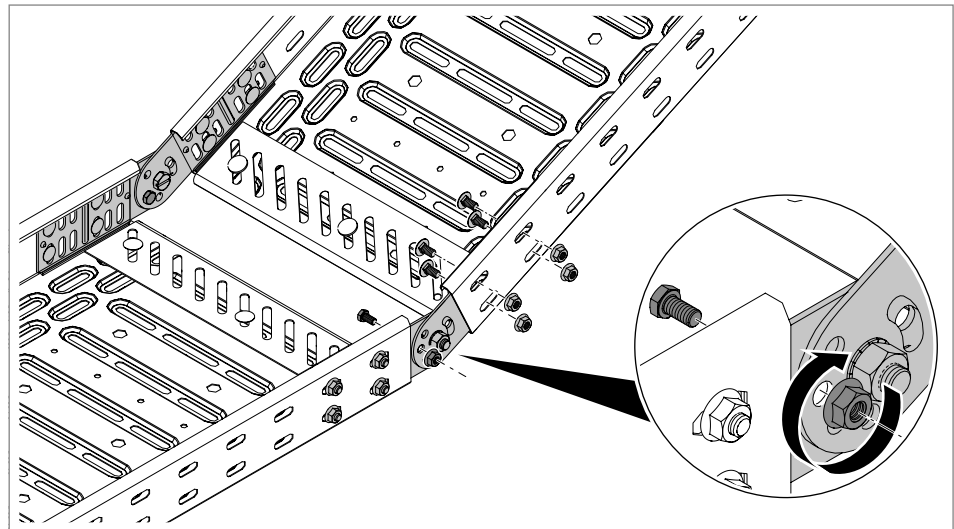
3. Insert the adjustable connector in the inner sides of the rail.
4. Screw on the adjustable connectors.



**Fig. 40:** Tightening the hinge screw

5. Adjust the angle on the adjustable connectors and fix with a hinge screw.
6. Push the second cable tray onto the adjustable connector.





**Fig. 41:** Tightening the securing screw

7. Screw on the adjustable connectors.
8. Screw on the locking screw in the slot or other available drill hole.

## 6.5 Mounting fittings

Vertical and horizontal changes of direction are created with fittings.

### 6.5.1 Supporting fittings

Fittings must always be supported by the support system. The mounting of the different support systems is shown in separate mounting instructions, see „1.6 Applicable documents“ on page 6.

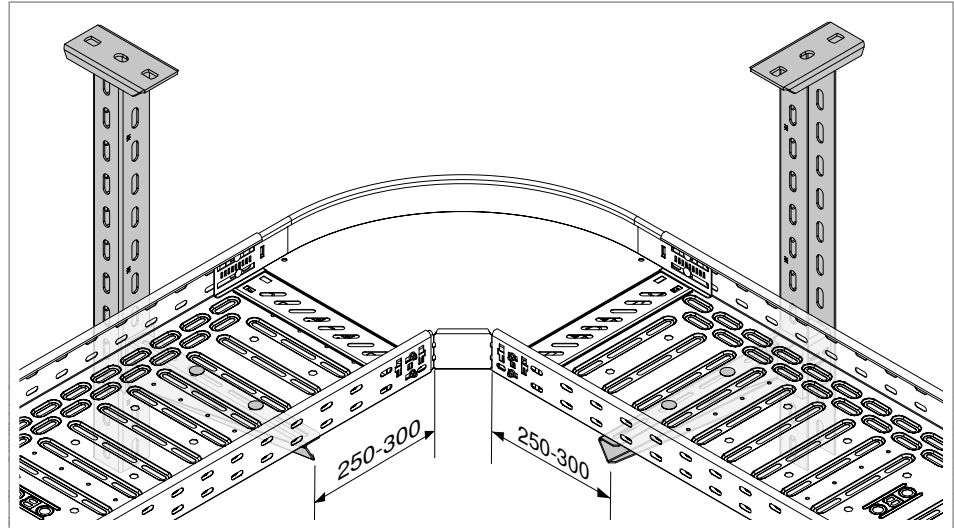
#### **X**WARNING

#### **Risk of the support system falling!**

If fittings are not supported, cable loads can become too heavy, destabilising the entire support system. There is a risk of the support system falling. Depending on their width, support the fittings with an additional support element.

#### **Support of fitting up to 300 mm width**

At a width of up to 300 mm, one cable tray support at a spacing of 250–300 mm from the edge of the fitting is sufficient.

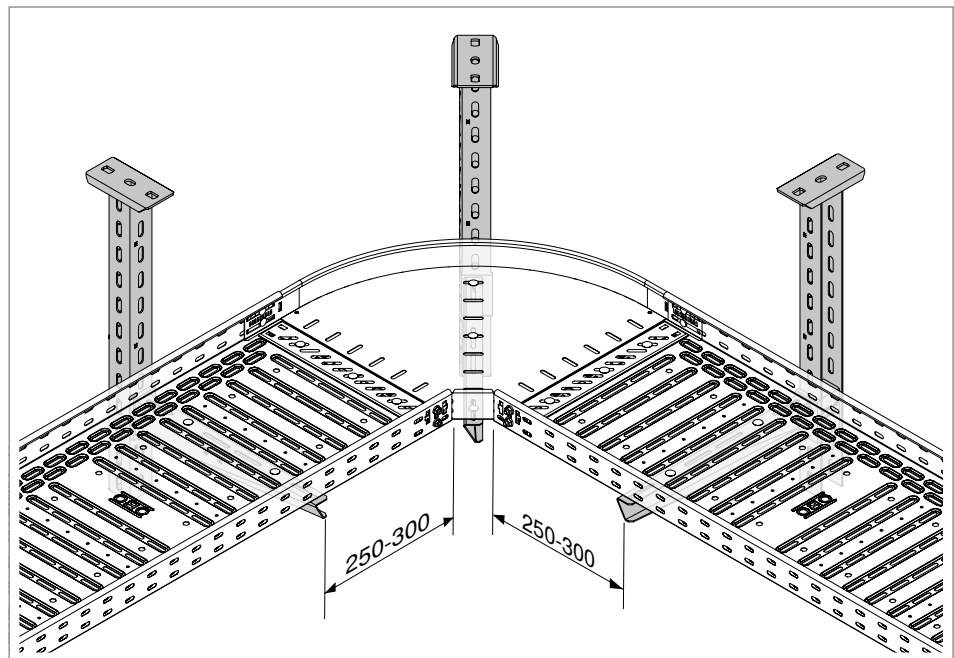


**Fig. 42:** Example of support for 90° bend fitting, 300 mm width

1. Support the fitting with a support structure at a distance of 250–300 mm from the edge.

#### Support of fitting $\geq 400$ mm width

At a width of 400 mm or more, one cable tray support is mounted at a spacing of 250–300 mm from the edge of the fitting. At a width of 400 mm, a support element must additionally be mounted under the fitting when the system is fully assigned. With fittings of a width of  $> 400$  mm, an additional support element must always be mounted under the fitting.



**Fig. 43:** Example of support for 90° bend fitting, 400 mm width

1. Support the fitting with a support structure at a distance of 250–300 mm from the edge.
2. Mount an additional support element under the fitting.

### 6.5.2 Mounting fitting on T piece, as example

To create branches or angles for horizontally laid cables, fittings such as 45° bends, 90° bends, angle-adjustable bends, T pieces, cross-overs and add-on tees are mounted. The fittings are available in widths of 100–600 mm.

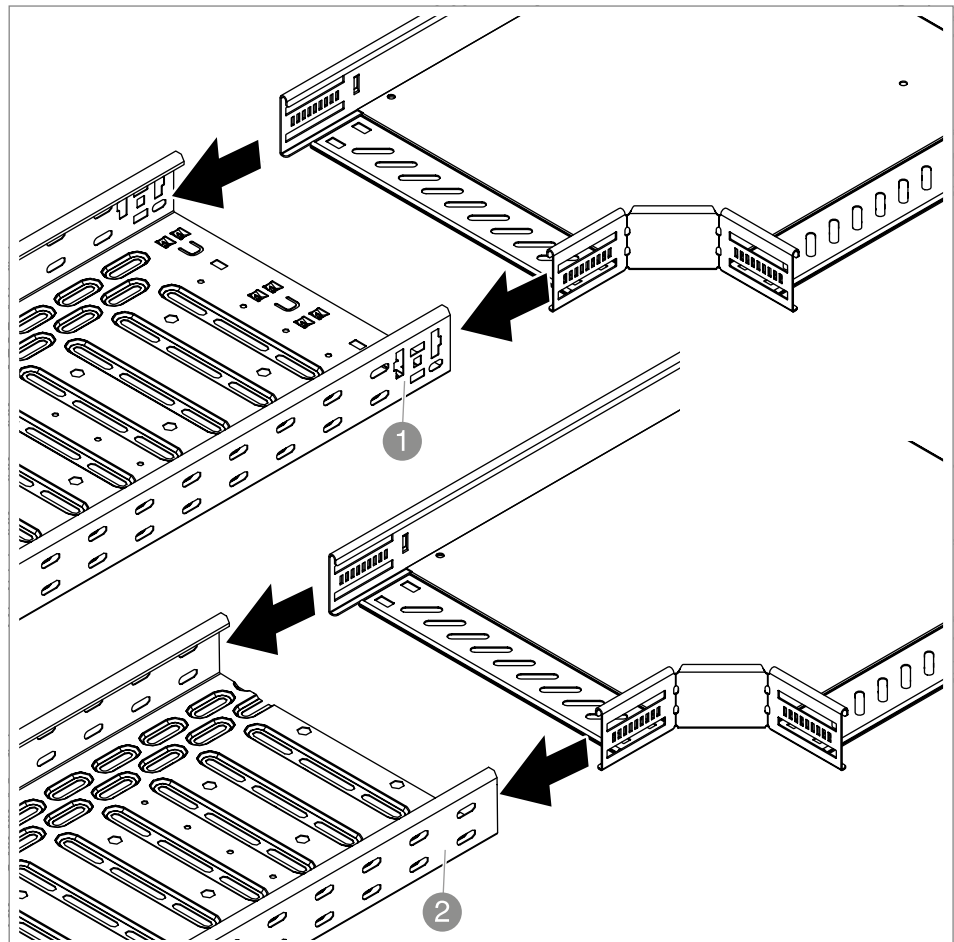
The fittings for horizontal branches or angles are fastened in the same manner. The fittings can be fastened to the tray without tools, using double clamps or with truss-head bolts and combination nuts. Both mounting types are possible for uncut trays at the Magic connection and for cut trays at the rail perforation.

This chapter shows the mounting of fittings for 45° and 90° bends, T pieces and cross-overs using the example of the T piece. The mounting of the add-on tee is described in chapter „6.5.3 Mounting an add-on tee as a branch“ on page 44 and the mounting of the angle-adjustable bend is described in chapter „6.5.5 Mounting the angle-adjustable bend“ on page 47.

**Note!**

*A list of the recommended number of screws or double clamps for mounting the different fittings can be found in chapter „10.2 Number of fastening materials“ on page 97.*

#### Inserting a fitting

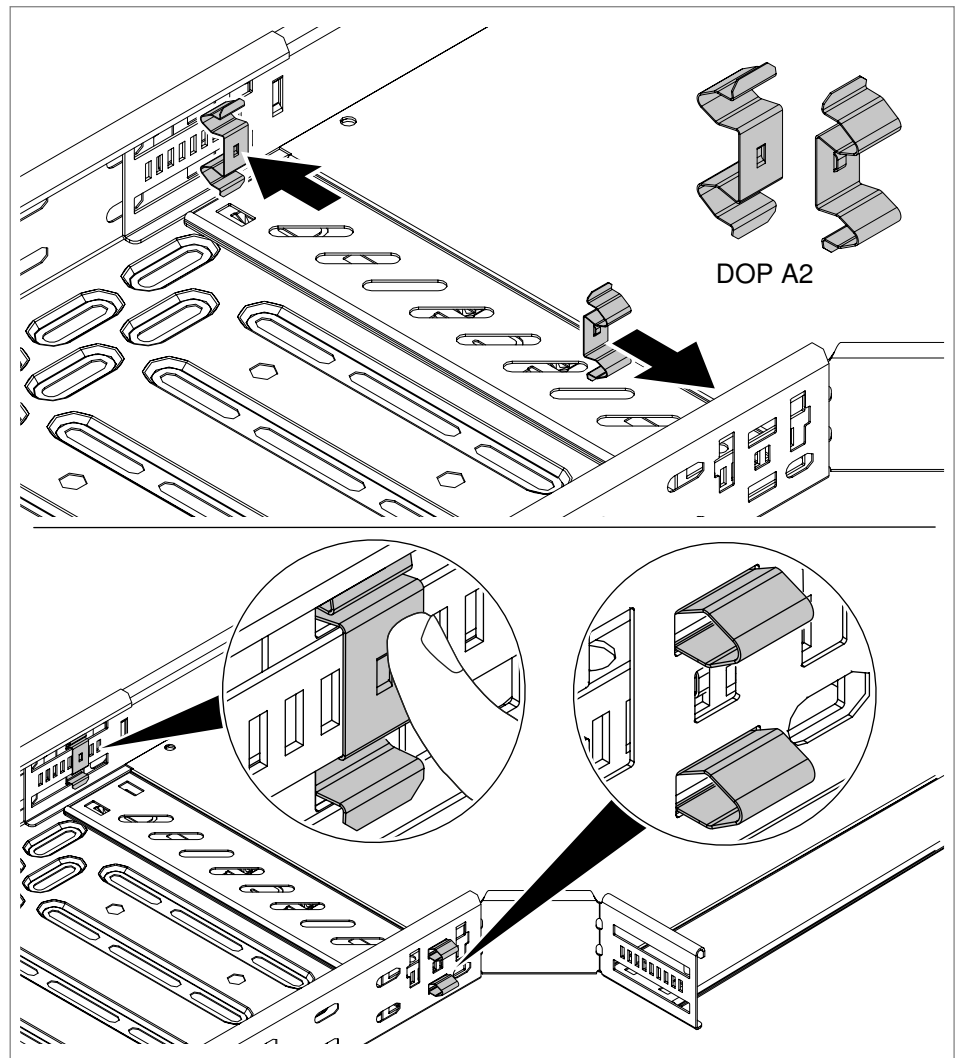


**Fig. 44:** Inserting a fitting

1. Push the connection shackles of the fitting into the uncut **1** or cut **2** cable tray.

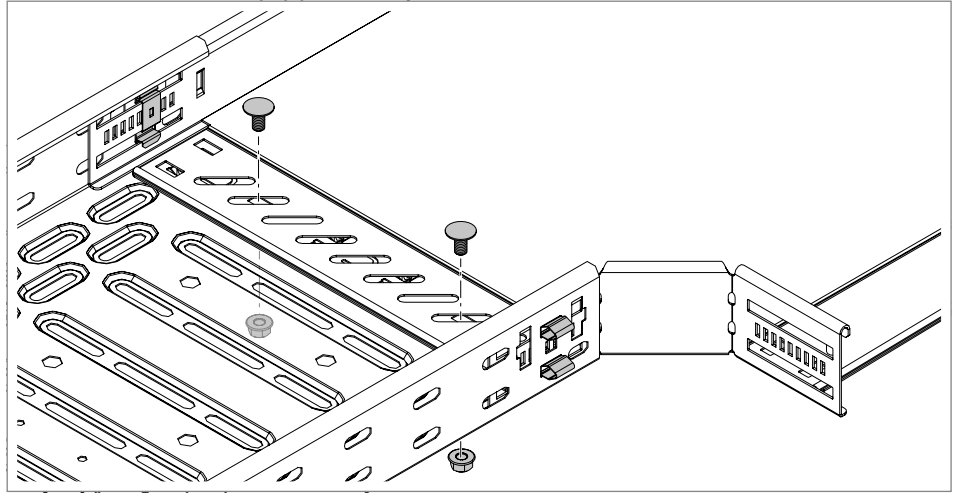
## Fastening the fitting to an uncut tray **1**

**Variant A:** Fasten fitting with double clamps to the uncut tray



**Fig. 45:** Fastening the fitting with a double clamp

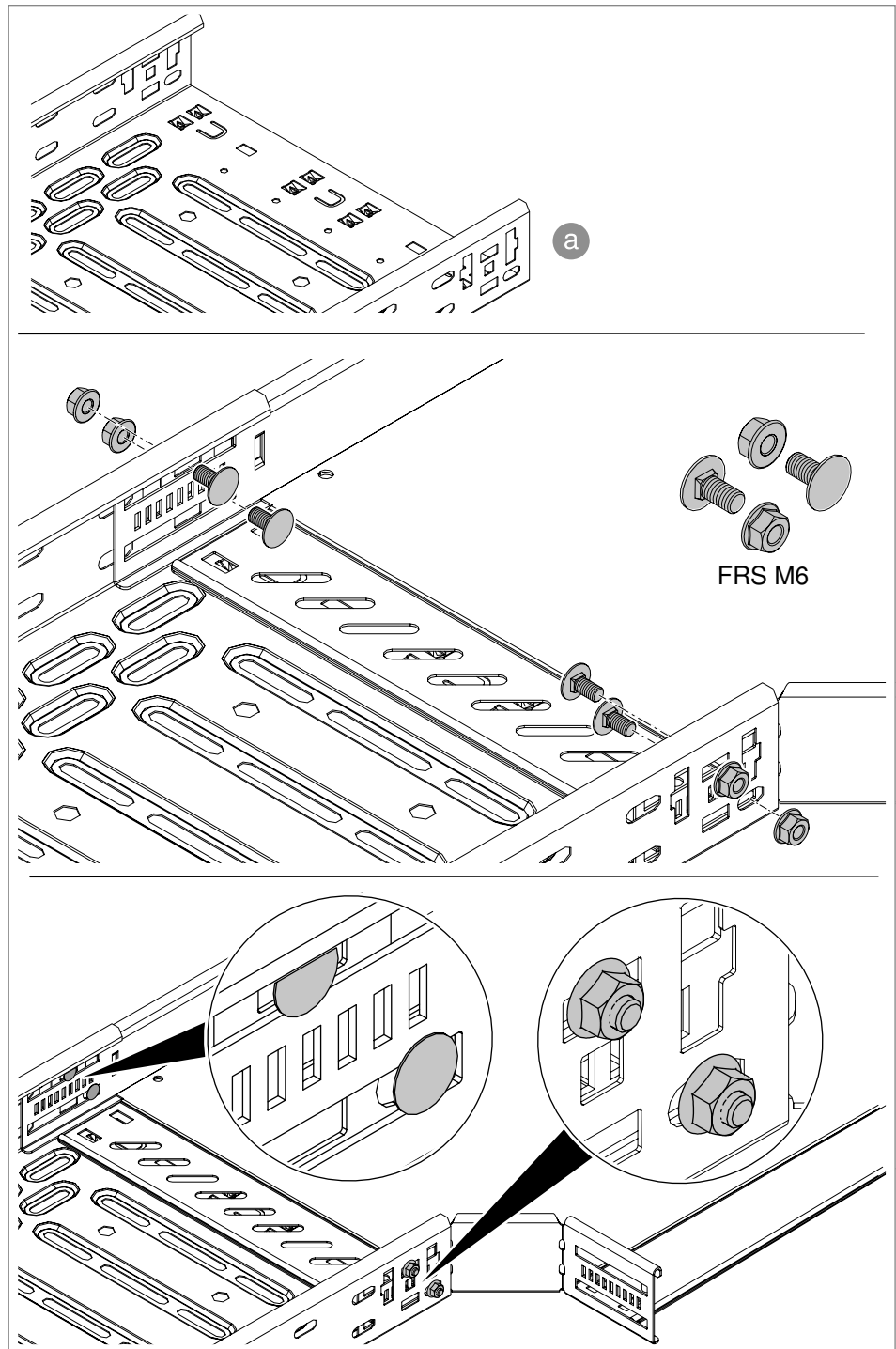
1. Press the spring of the double clamp from the inside of the rail through the connector perforation of the fitting and the cable tray.



**Fig. 46:** Screwing on the joint plate

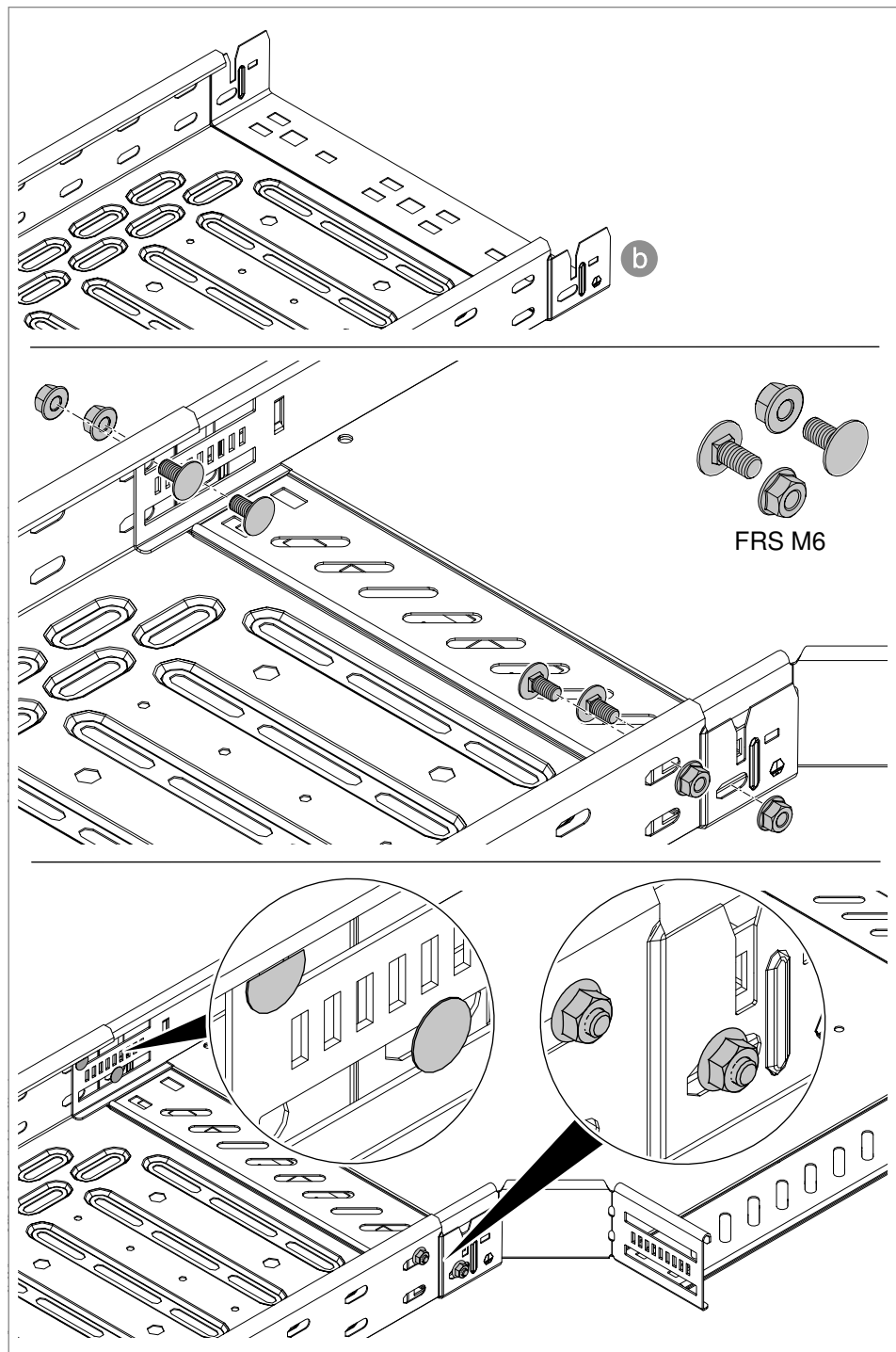
2. Screw on the joint plate with truss-head bolts and combination nuts.
3. Repeat steps 1 and 2 on the rest of the joints.

**Variant B: Fasten fitting with screws and combination nuts to the uncut tray (a)**

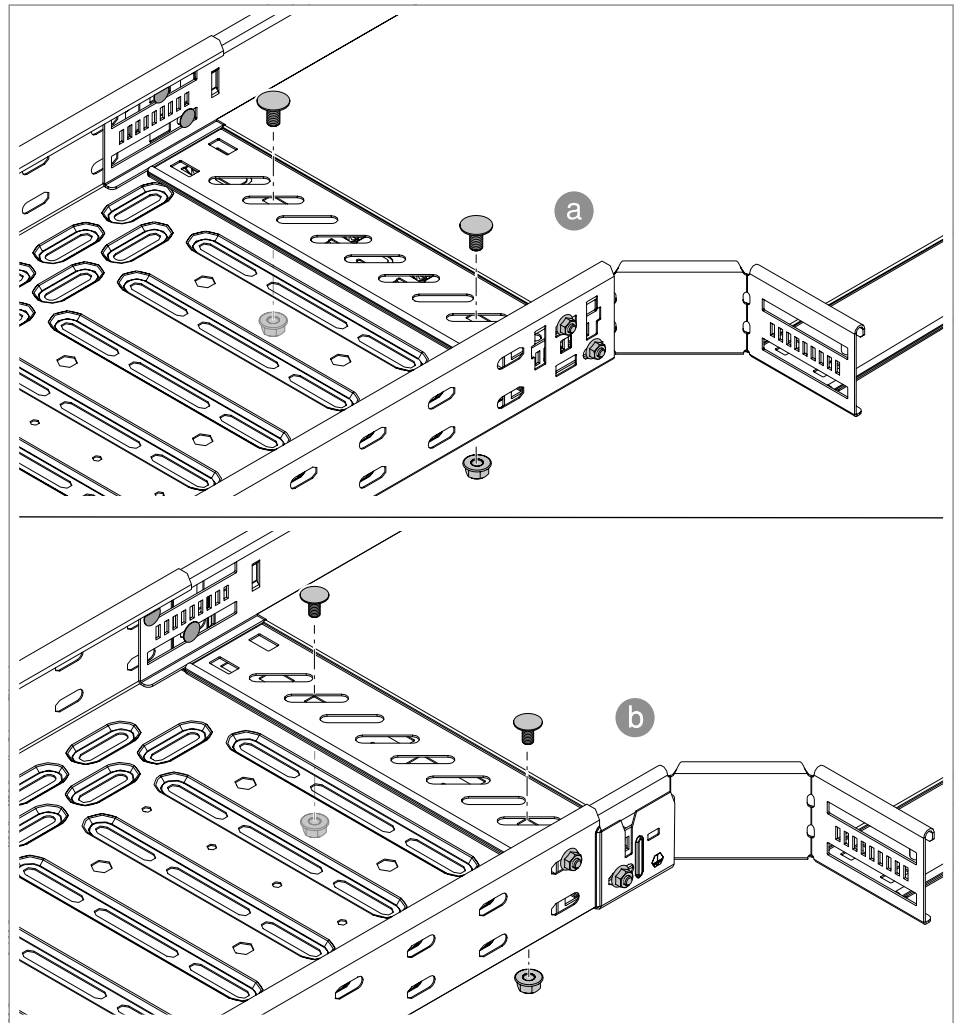


**Fig. 47:** Fastening the fitting with screws (end of cable tray (a))

1. Insert the truss-head bolts from the inside of the rail through the connector perforation of the fitting and the cable tray.
2. Lock the truss-head bolt with combination nuts.

**Variant B: Fasten fitting with screws and combination nuts to the uncut tray (b)****Fig. 48:** Fastening the fitting with screws (end of cable tray (b))

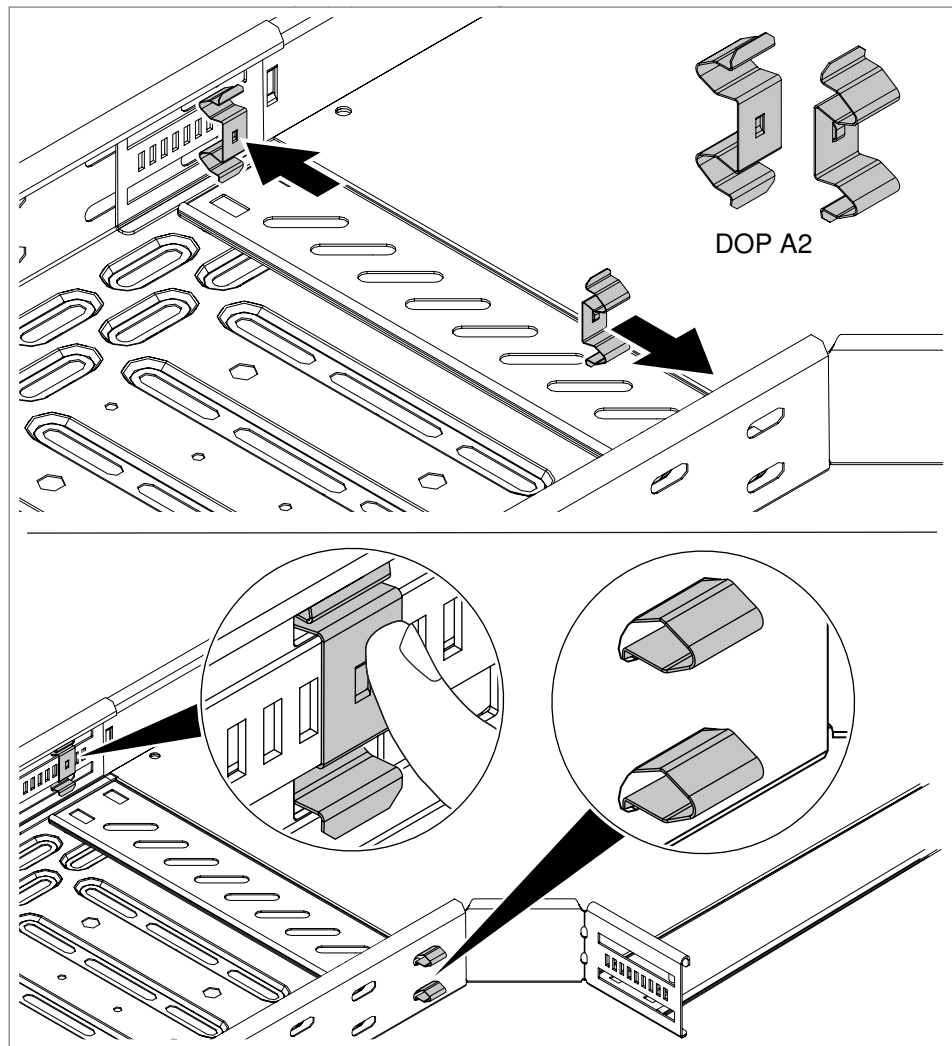
1. Insert the truss-head bolts from the inside of the rail through the connector perforation of the fitting and the cable tray.
2. Lock the truss-head bolt with combination nuts.



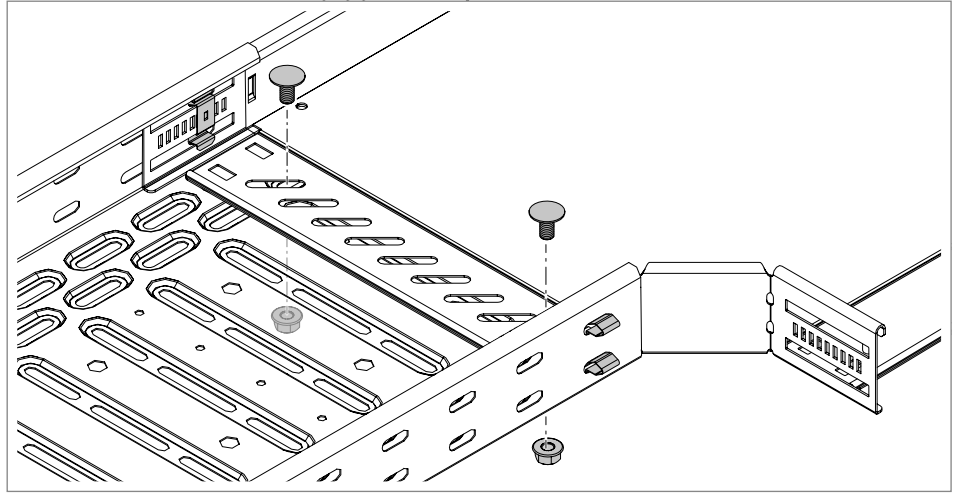
**Fig. 49:** Screwing on the joint plate (end of cable tray **a** and **b**)

3. Screw on the joint plate with truss-head bolts and combination nuts.
4. Repeat steps 1 to 3 on the rest of the joints.



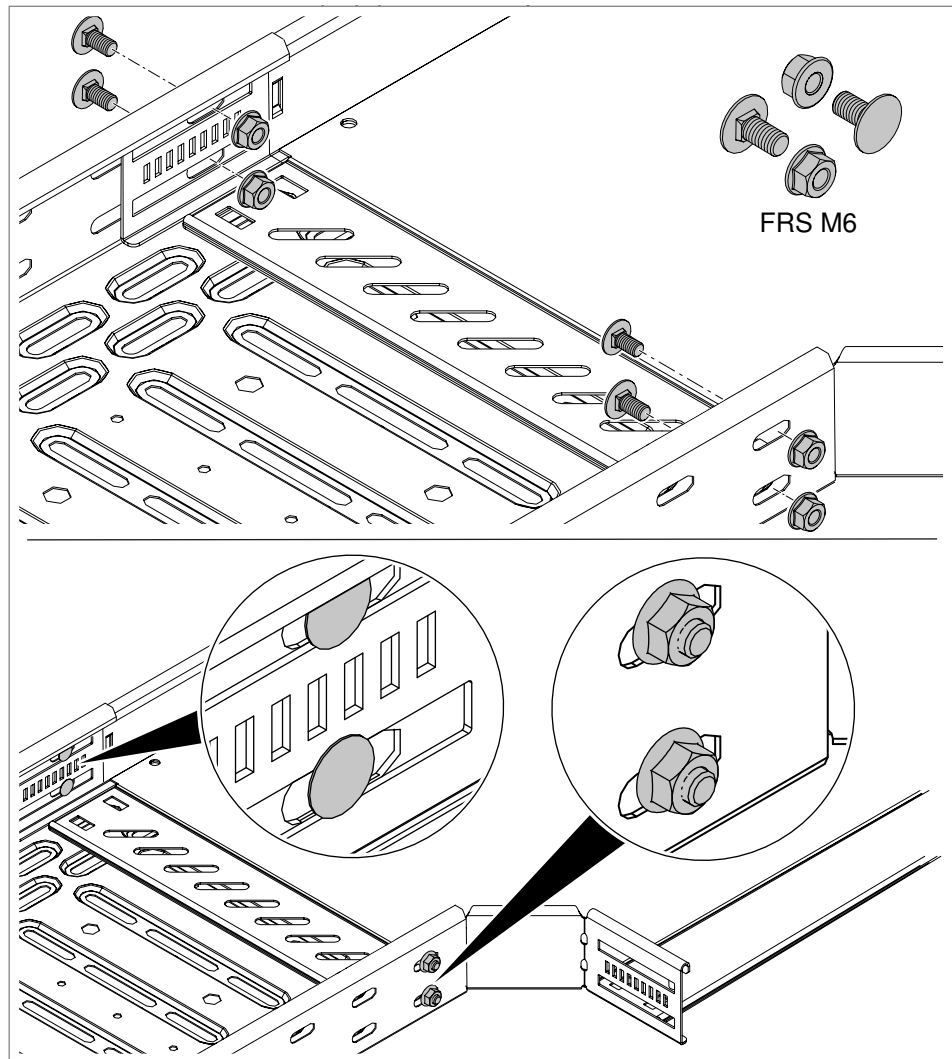
**Fastening the fitting to cut tray ②****Variant A:** Fasten fitting with double clamps to the cut tray**Fig. 50:** Fastening the fitting with a double clamp

1. Press the spring of the double clamp from the inside of the rail through the connector perforation of the fitting and the cable tray.



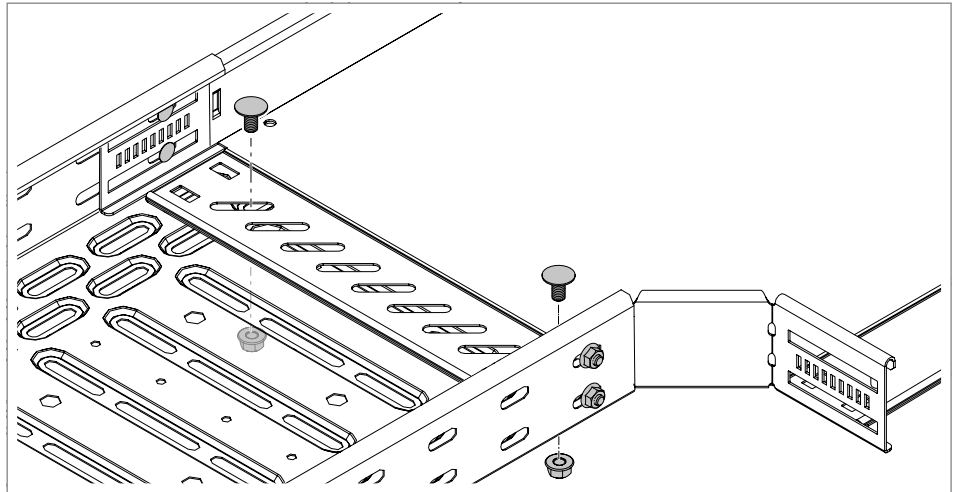
**Fig. 51:** Screwing on the joint plate

2. Screw on the joint plate with truss-head bolts and combination nuts.
3. Repeat steps 1 and 2 on the rest of the joints.

**Variant B: Fasten fitting with screws and combination nuts to the cut tray**

**Fig. 52:** Fastening the fitting with a double clamp

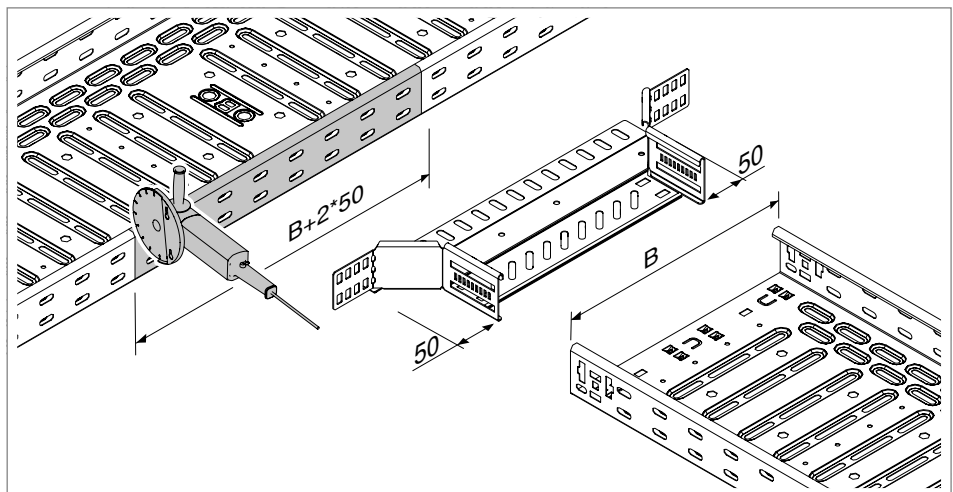
1. Insert the truss-head bolts from the inside of the rail through the connector perforation of the fitting and the cable tray.
2. Lock the truss-head bolt with combination nuts.



**Fig. 53:** Screwing on the joint plate

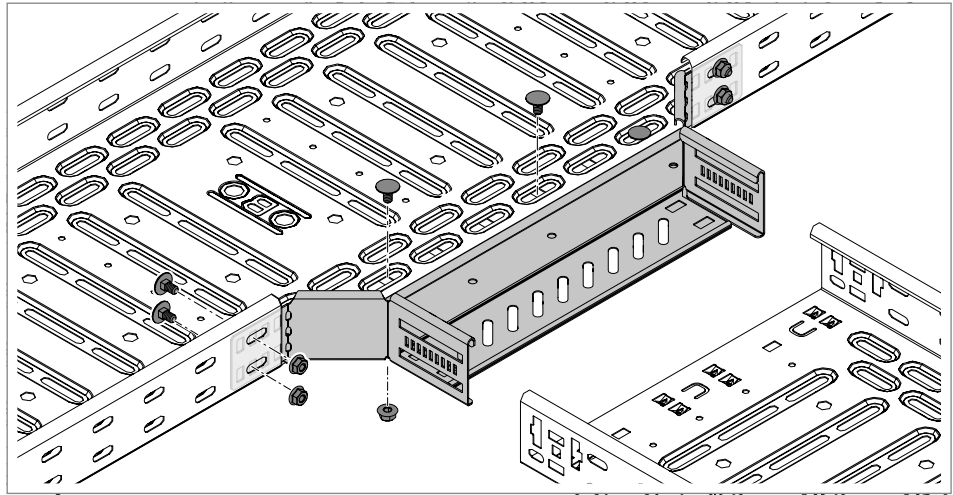
3. Screw on the joint plate with truss-head bolts and combination nuts.
4. Repeat steps 1 to 3 on the rest of the joints.

### 6.5.3 Mounting an add-on tee as a branch



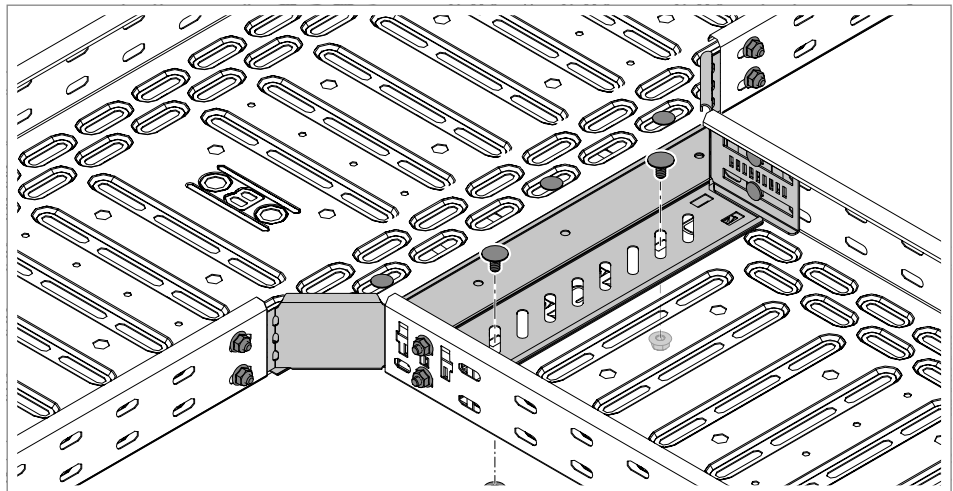
**Fig. 54:** Notching out a cable tray rail

1. Notch out the cable tray rail with the dimension =  $W + 2 \times 50$  mm.
2. For unperforated cable trays, pre-drill the connector perforation for the add-on tee and joint plate.



**Fig. 55:** Screwing the add-on tee on a continuous cable tray

3. Insert the connection shackles of the add-on tee to the inner side of the notched-out cable tray rail.
4. Screw the add-on tee to the cable tray rail and cable tray base.

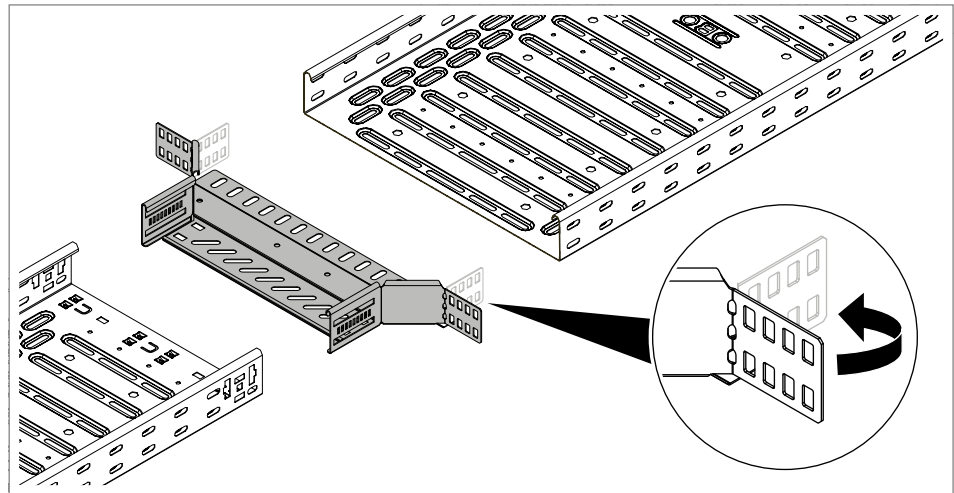


**Fig. 56:** Screwing the branching cable tray to the add-on tee

5. Push the branching cable tray onto the connection shackle of the add-on tee.
6. Screw on the cable tray or fasten with double clamps, see „6.5.2 Mounting fitting on T piece, as example“ on page 35.

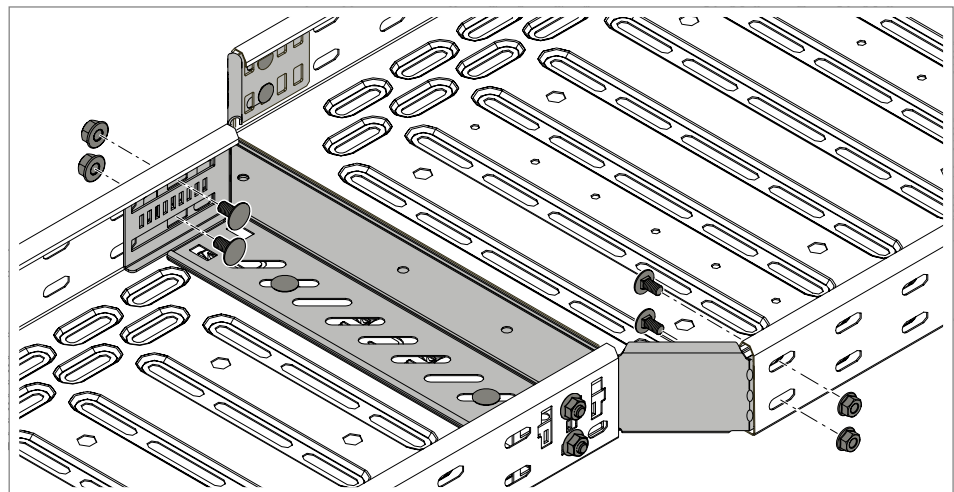
### 6.5.4 Mounting an add-on tee as a reducer

The add-on tee can also be used to create reductions to 100 mm narrower cable trays.



**Fig. 57:** Bending the connection shackle

1. Bend the connection shackle of the add-on tee by 90° on both sides.
2. If necessary, cut a cable tray to make a suitable connector perforation.
3. For unperforated cable trays, pre-drill the connector perforation for the add-on tee and joint plate.

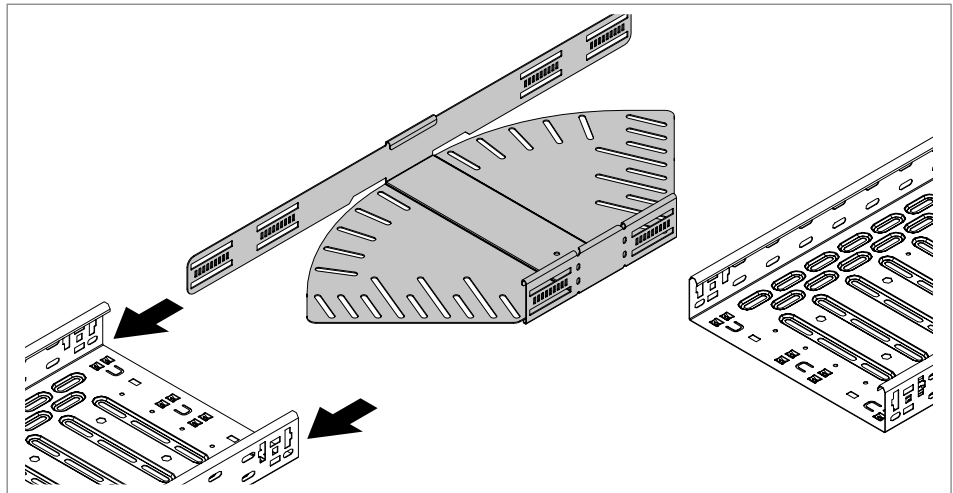


**Fig. 58:** Screwing the add-on tee to the cable trays

4. Push the connection shackles of the add-on tee into the cable trays.
5. Screw the add-on tee to the cable tray rails and cable tray base.

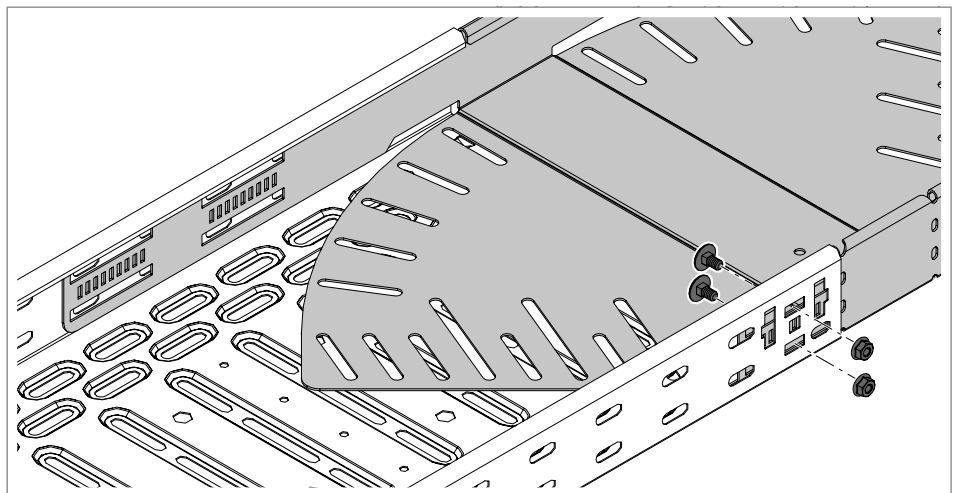
### 6.5.5 Mounting the angle-adjustable bend

The angle-adjustable bend is mounted to create flexible radii of 0–90°.



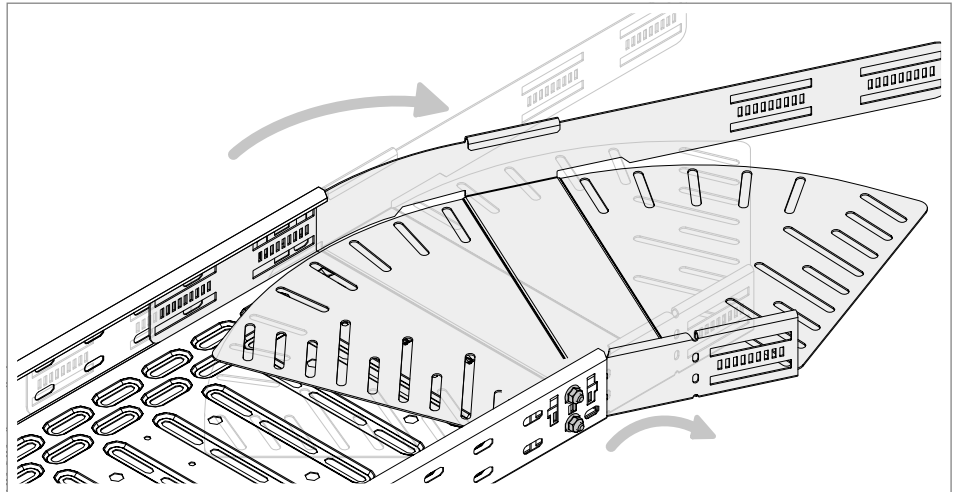
**Fig. 59:** Inserting an angle-adjustable bend

1. Insert the bend with connection shackle into the first tray.



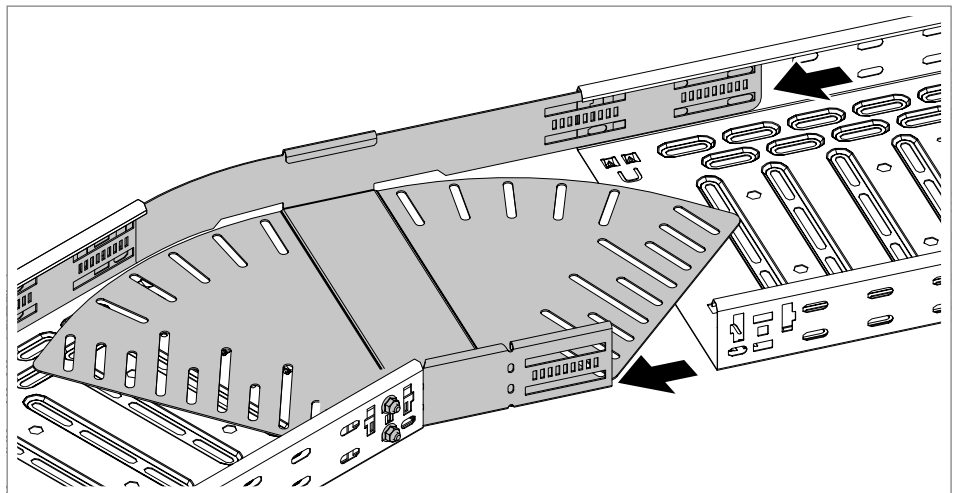
**Fig. 60:** Fixing an angle-adjustable bend

2. Screw the inner connection shackle of the bend to the tray.



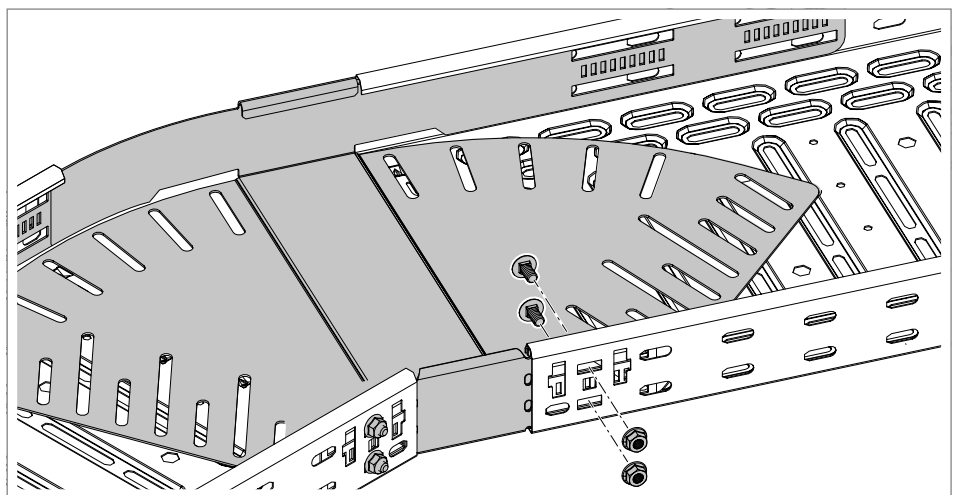
**Fig. 61:** Bending the angle-adjustable bend

3. Pre-bend the inner connection shackle to angle x.



**Fig. 62:** Pushing the second tray onto the bend

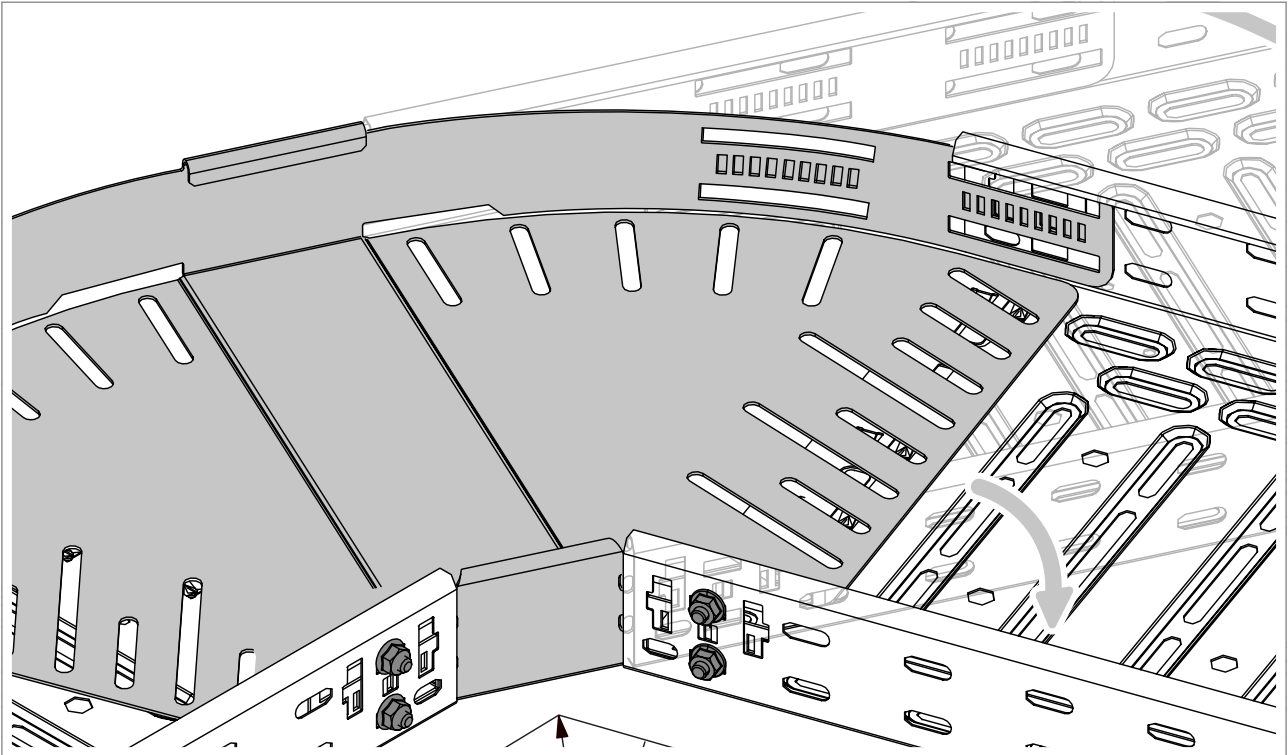
4. Push the second tray onto the connection shackle.



**Fig. 63:** Fixing second tray onto the bend

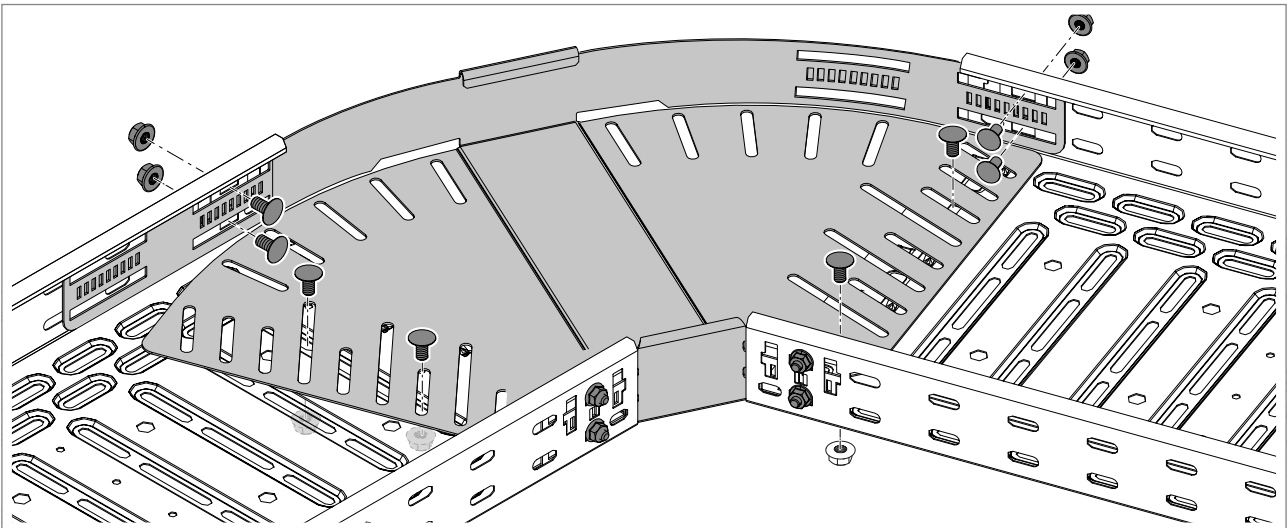


5. Screw the inner connector of the bend to the second tray or fasten with DOP double clamp.



**Abb. 64:** Bending trays around the inner connector

6. Bend the second tray, or alternatively both trays, around the inner connection shackle to create the final angle  $x$ .



**Abb. 65:** Screwing connector and joint plate to trays

7. Screw outer connection shackles of the bend to the tray or fasten with DOP double clamp.
8. Screw the joint plate areas of the bend to the tray.

### 6.5.6 Mounting falling or rising vertical bends

Rising or falling vertical bends are used to route cables in a 90° vertical angle. Vertical bends are available in widths 100–600 mm. Vertical bends have a connector perforation and are screwed on with FRS M6 truss-head bolts and combined nuts.

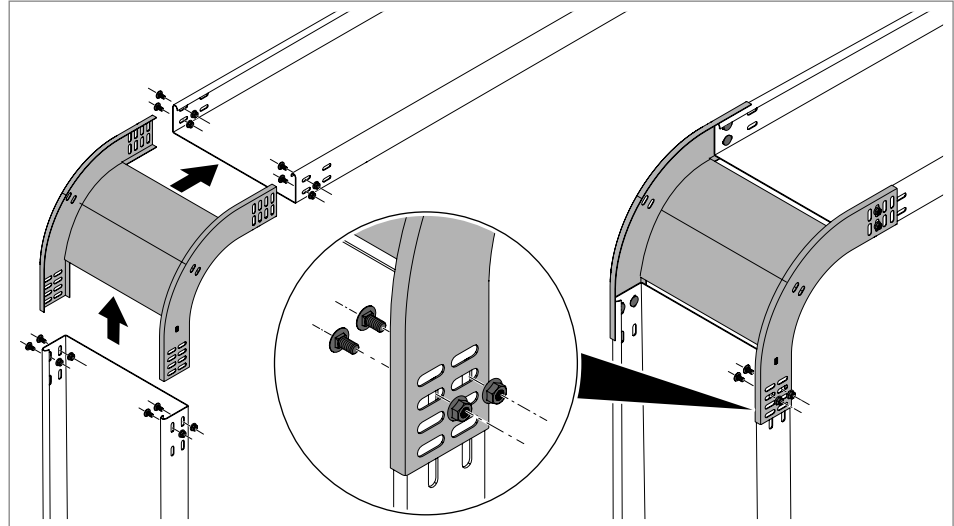


Fig. 66: Mounting a falling vertical bend

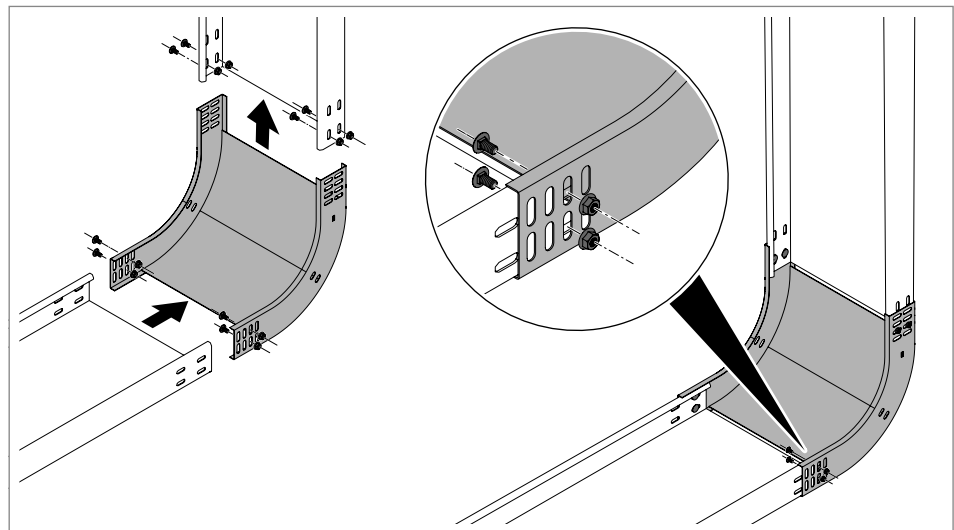
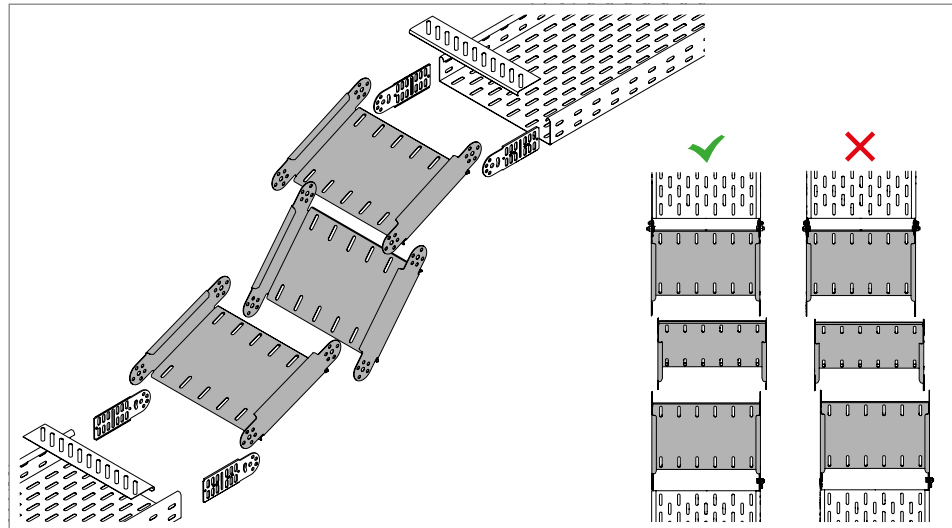


Fig. 67: Mounting a rising vertical bend

1. Push the vertical bend onto the first cable tray. In so doing, the cable tray rails are within the vertical bend.
2. Screw the vertical bend to the first cable tray.
3. Push the second cable tray into the vertical bend.
4. Screw the vertical bend to the second cable tray.

### 6.5.7 Mounting an adjustable bend element

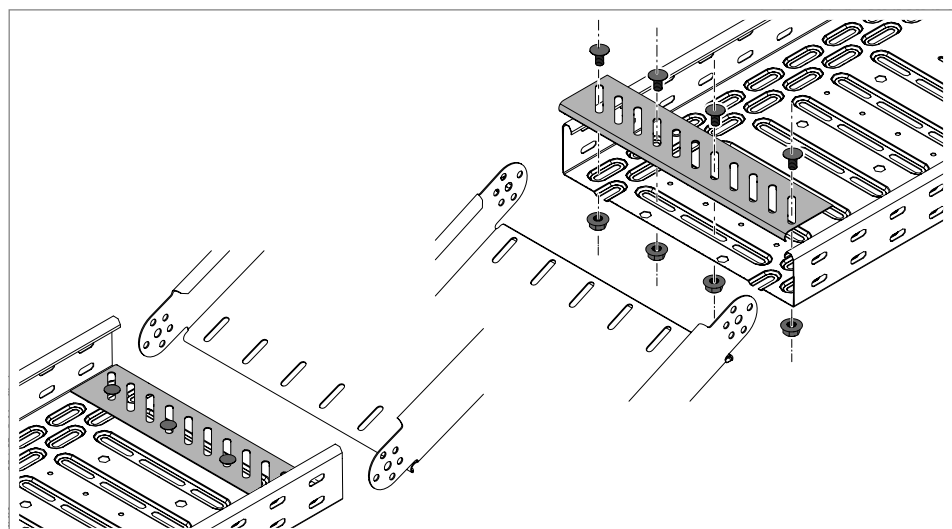
Adjustable bend elements are used to create height offsets with flexible bends. Adjustable bend elements are mounted on the cable tray with half an adjustable connector and FRS M6 truss-head bolts and combination nuts. Adjustable bend elements are interconnected with SKS M8x16 hinge screws and locking screws. The angles should be flexible. Bottom end plates are mounted at the ends of the cable trays in order to avoid cable damage.



**Fig. 68:** Adjustable bend element with half an adjustable connector and bottom end plate

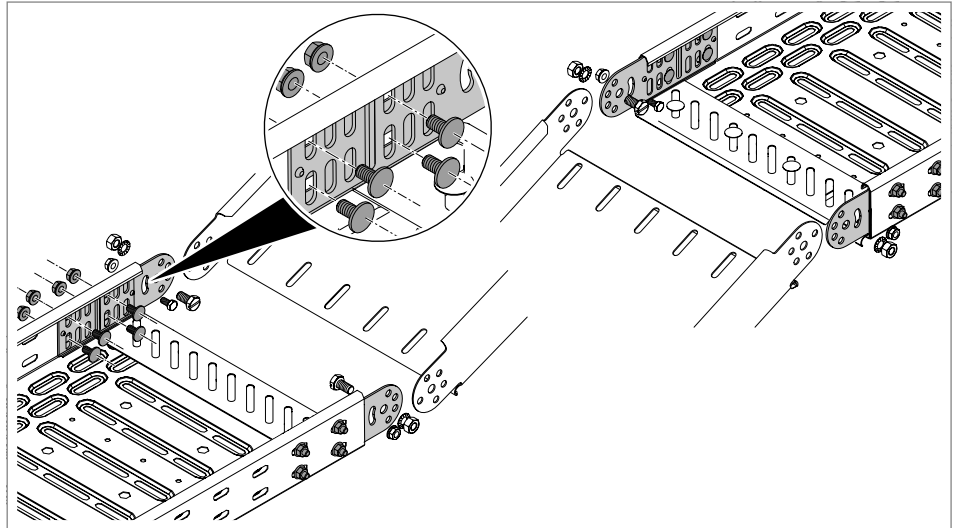
#### Note!

*Always arrange adjustable bend elements with alternating offsets in order to avoid a one-sided directional offset.*



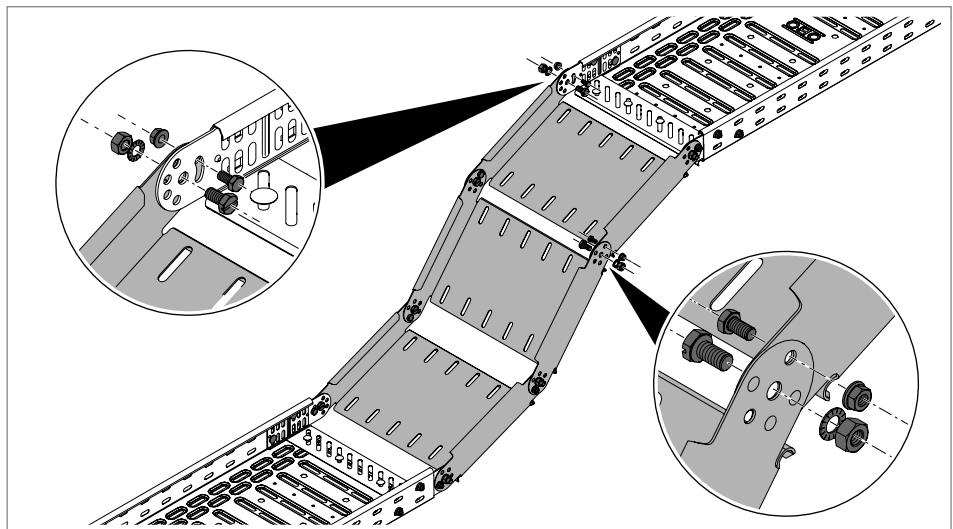
**Fig. 69:** Mounting a bottom end plate

1. With unperforated cut cable trays, pre-drill the connector perforation for adjustable connectors and bottom end plates.
2. Screw bottom end plates to cable tray bases.



**Fig. 70:** Mounting adjustable connectors on cable trays

3. Screw the adjustable connector to the inner sides of the rail.



**Fig. 71:** Mounting adjustable bend elements

4. Fasten adjustable bend elements to adjustable connectors with SKS M8x16 hinge screws.
5. Adjust the angle.
6. Screw on the locking screws in the slot or other available drill hole.
7. Mount other adjustable bend elements with hinge screws and locking screws.

### 6.5.8 Mounting a reducer/end closure

Reducers/end closures are used to reduce tray widths or to close them off completely. Reducers/end closures have a connector perforation and are screwed on with FRS M6 truss-head bolts and combined nuts.

#### Mounting a reducer

1. With unperforated cut cable trays, pre-drill the connector perforation for connectors, reducers and joint plates.

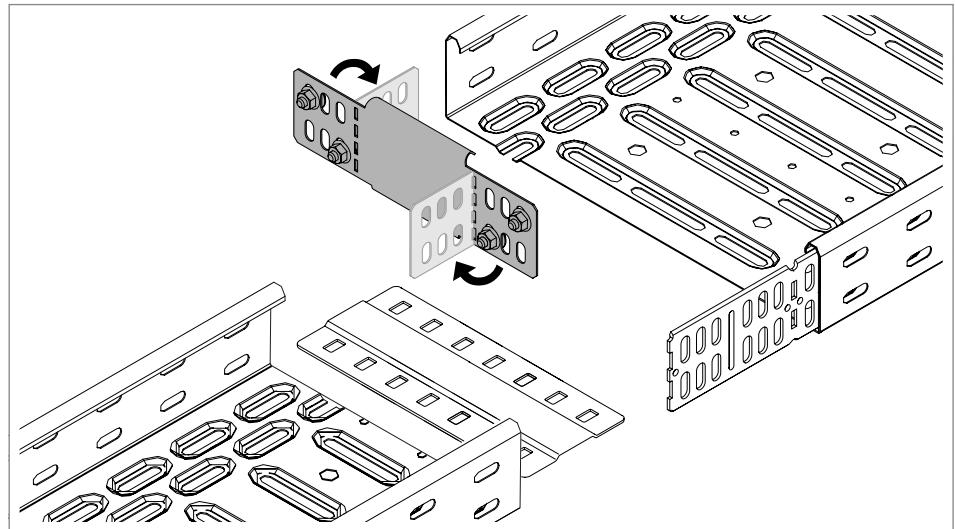


Fig. 72: Bending a reducer

2. Bend straps on the reducer by 90°.

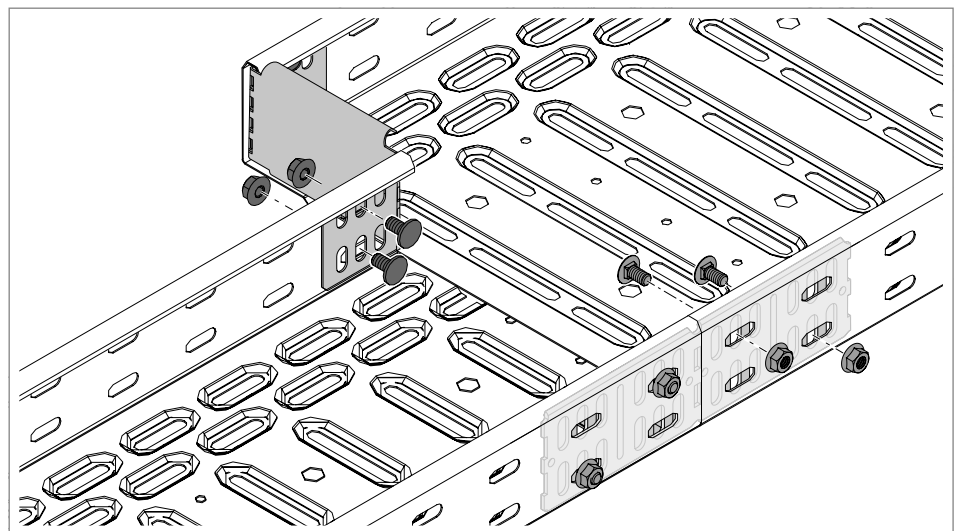
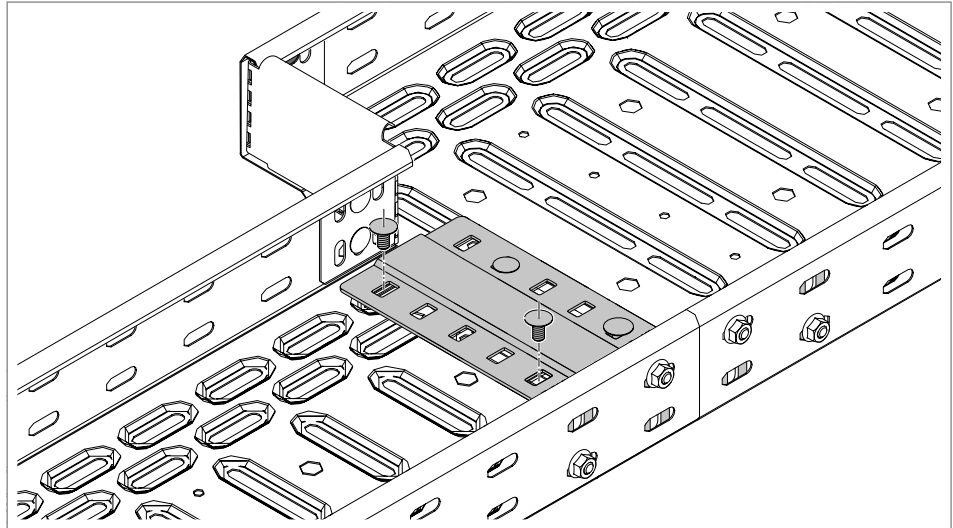


Fig. 73: Mounting a straight and angle connector and reducer

3. Screw on the RWVL straight and angle connector to the inner side of the rail.
4. Screw the reducer to the inner sides of the rail.

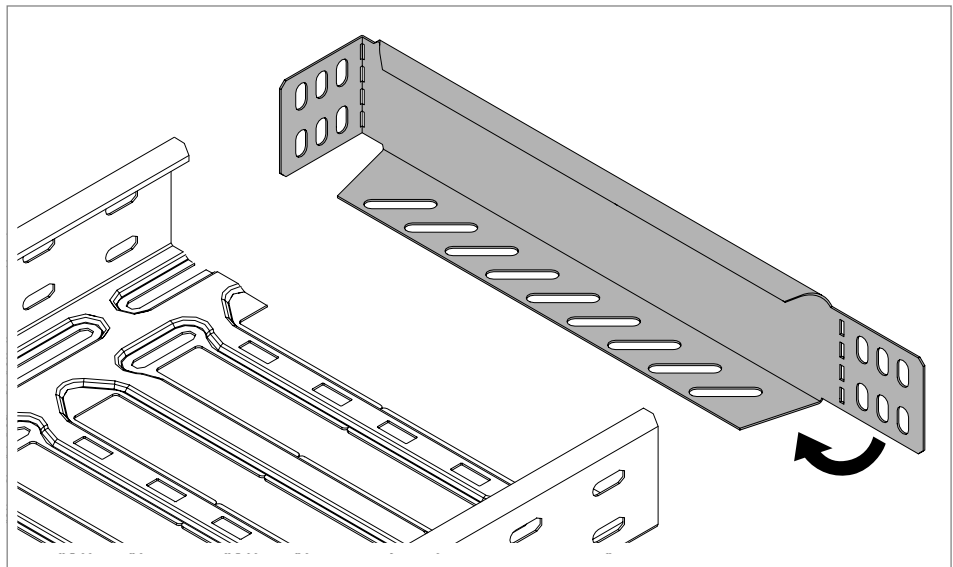


**Fig. 74:** Screwing on the joint plate

5. Screw on the joint plate.

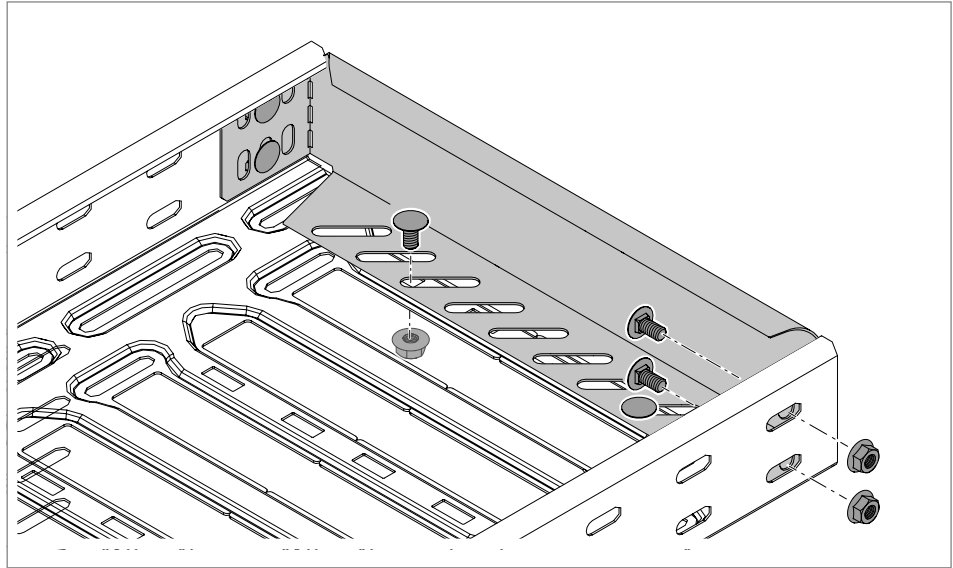
### Mounting an end closure

1. With unperforated cut cable trays, pre-drill mounting perforations.



**Fig. 75:** Bending a strap

2. Bend the straps on the end closure 90° inwards.



**Fig. 76:** Mounting an end closure

3. Push the end closure into the cable tray. In so doing, the straps touch the inner edge of the rail and the cable tray base.
4. Screw on the end closure.

## 6.6 Mounting a barrier strip

Barrier strips are used to route and separate cables with different functions or voltages in a cable tray. Barrier strips are mounted in the cable tray with FRS M6 truss-head bolts and combination nuts. Alternatively, the KS KR hold-down clamp can be used for the RKSM tray.

### 6.6.1 Screwing on a barrier strip

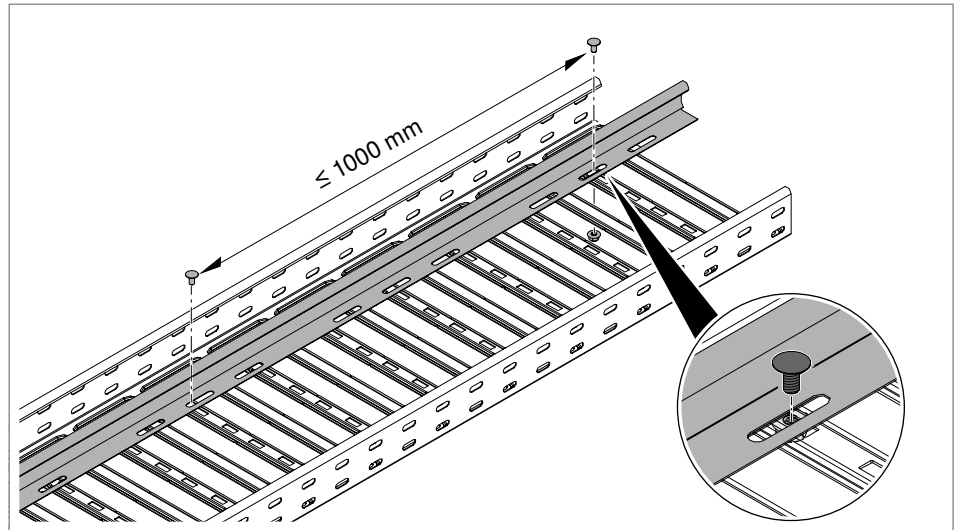


Fig. 77: Screwing on a barrier strip

1. With unperforated cable trays, pre-drill mounting perforations.
2. Screw on the barrier strip.

### 6.6.2 Mounting a barrier strip with a hold-down clamp for RKSM

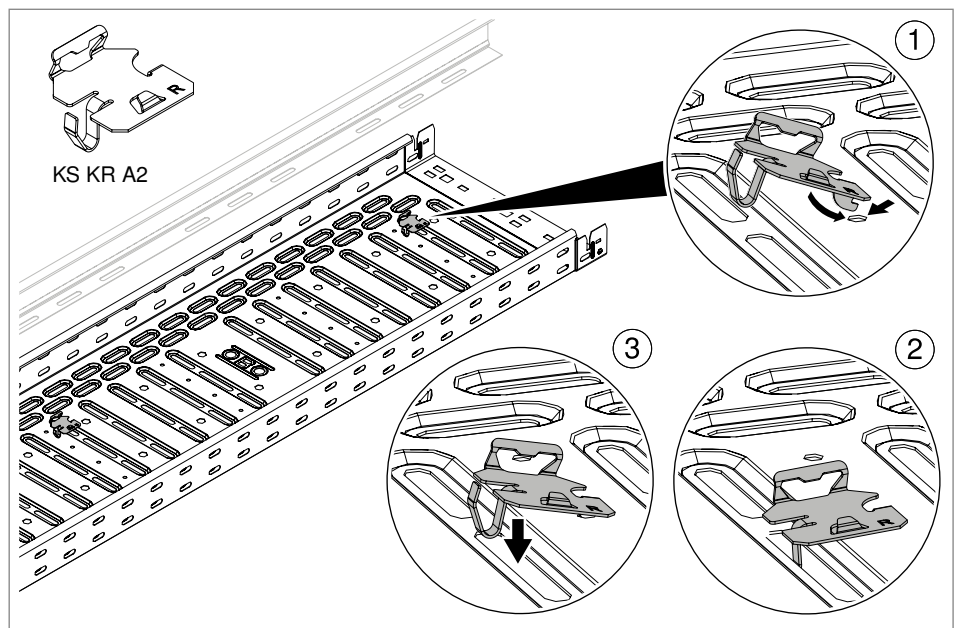


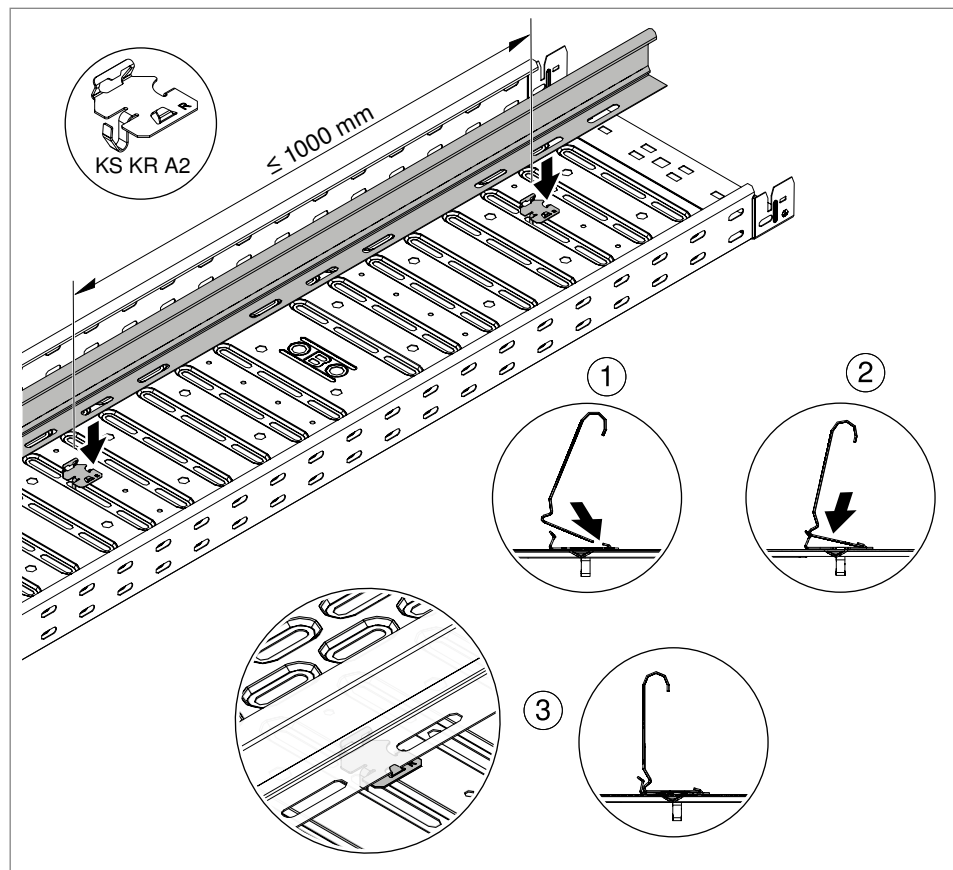
Fig. 78: Inserting a hold-down clamp for the barrier strip

1. Insert the angled strap of the hold-down clamp into the perforation in



the cable tray base at an angle (①).

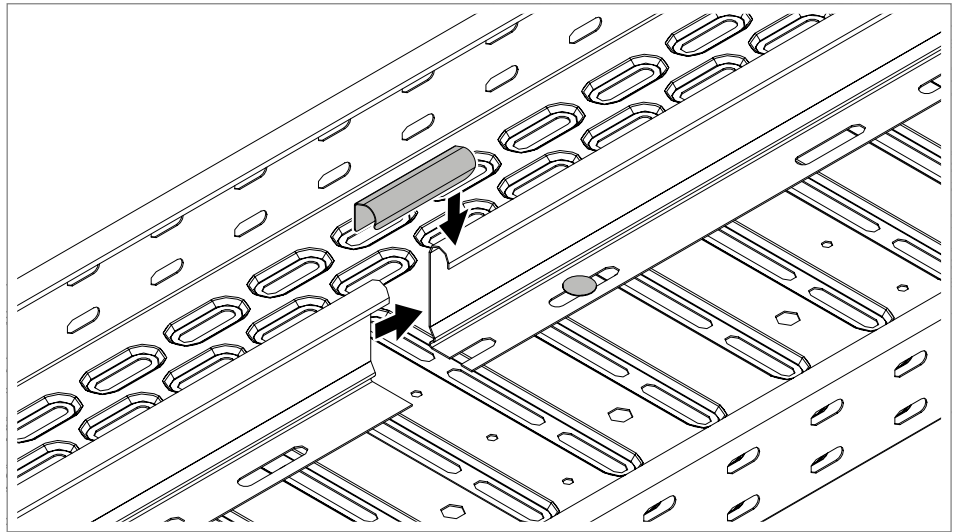
2. Push the hold-down clamp downwards to engage the spring element of the clamping piece in the slot of the cable tray base (② + ③).



**Fig. 79:** Inserting a barrier strip in the hold-down clamp

3. Push the barrier strip under the strap on the hold-down clamp at an angle (①).
4. Lock the barrier strip in the hold-down clamp (② + ③).

### 6.6.3 Connecting barrier strips with a barrier strip connector



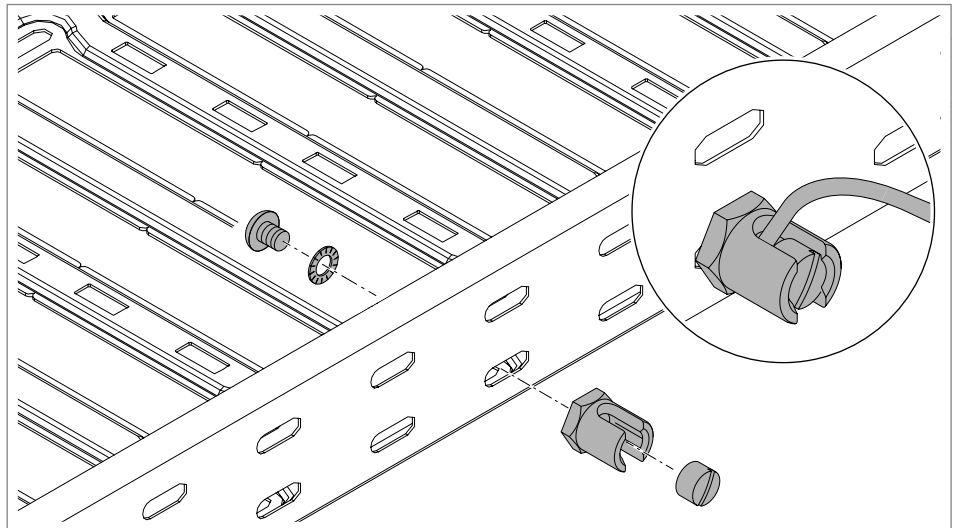
**Fig. 80:** Connecting barrier strips

1. Position the barrier strips next to each other.
2. Clamp the barrier strip connector at the joint.

## 6.7 Creating equipotential bonding

**Note!** *We recommend that the latchable cable tray system is integrated into the equipotential bonding.*

The equipotential bonding is created using an earthing terminal.



**Fig. 81:** Mounting the earthing terminal

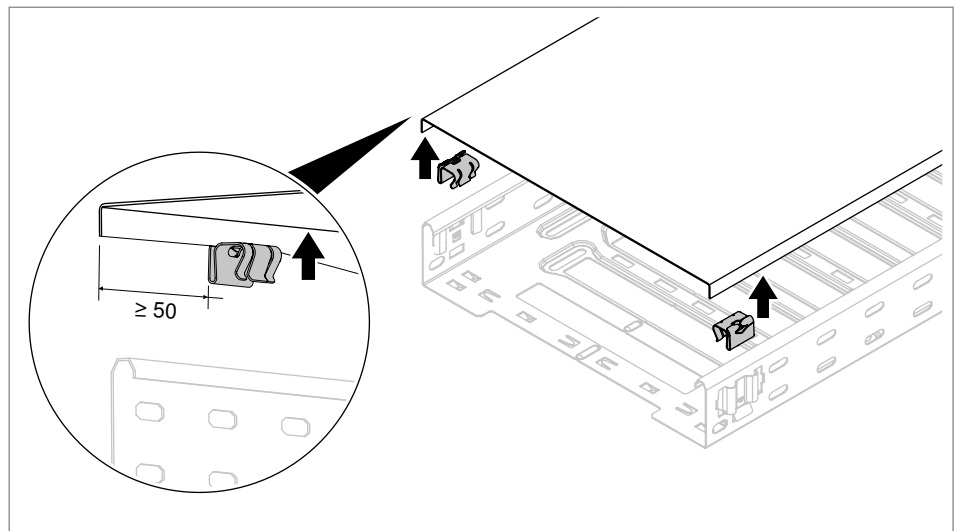
1. Drill a hole in the cable tray rail if it does not yet exist.
2. Screw the earthing terminal on the cable tray rail with an FRSB 6x12 screw.
3. Electrically connect the earthing terminal to the overall equipotential bonding.

## 6.8 Mounting covers

Covers can be mounted as follows:

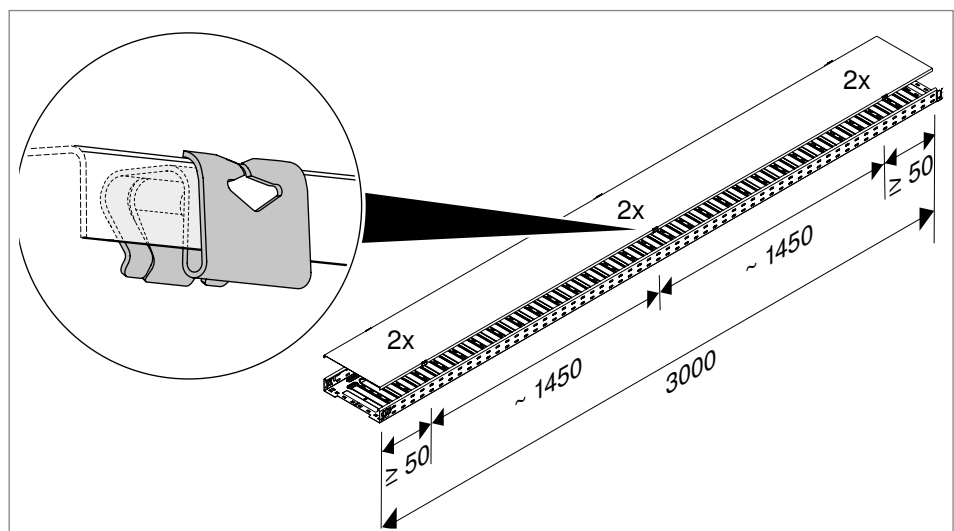
- With cover clamps
- With turn buckles mounted at a later date
- With pre-mounted turn buckles

### 6.8.1 Mounting a cover with a cover clamp



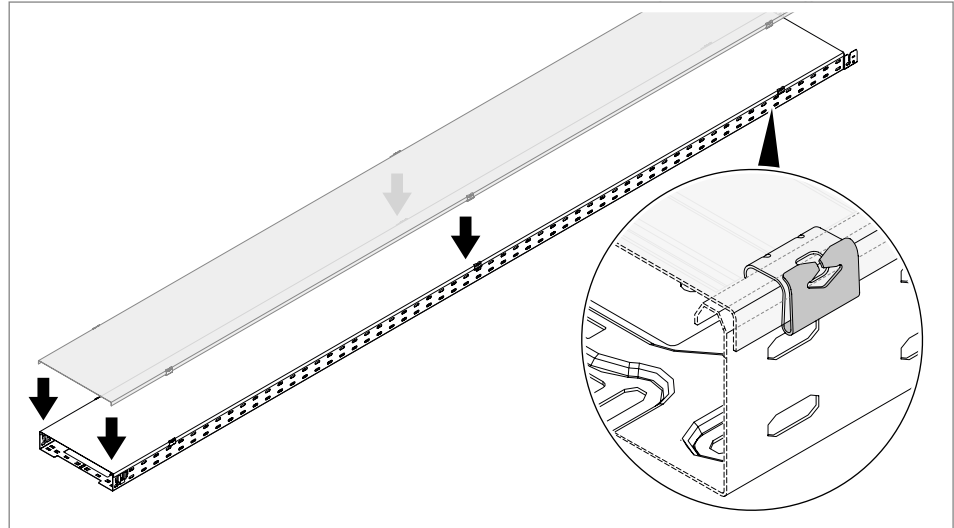
**Fig. 82:** Clamping the cover clamp to the cover

1. Clamp the cover clamp to the edge of the cover. Distance from the front edge at least 50 mm.



**Fig. 83:** Distribution of the necessary number of cover clamps

2. Mount at least 3 x 2 cover clamps for each 3,000 mm cover length. Distance between the clamps approx. 1,450 mm.



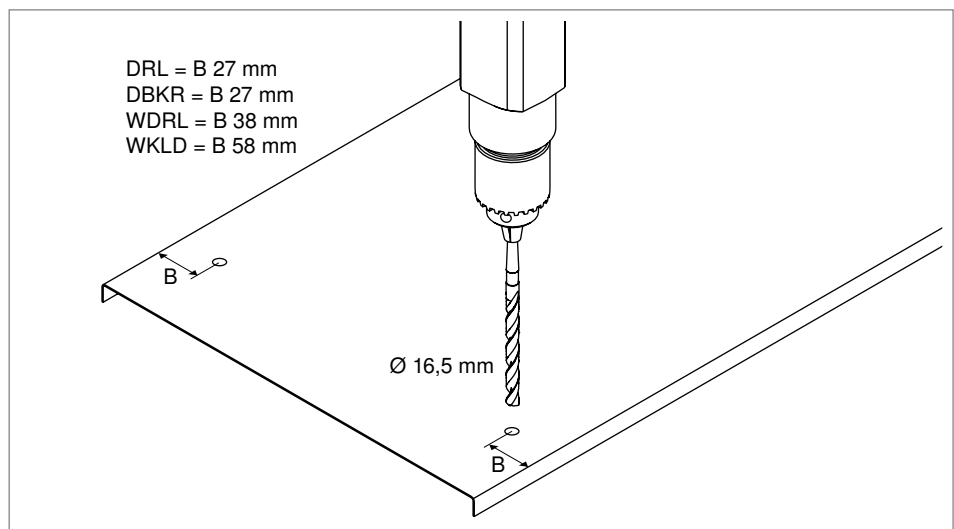
**Fig. 84:** Latch on the cover.

3. Latch the cover onto cable tray rails using cover clamps.

### 6.8.2 Mounting a cover with turn buckle

Turn buckles are either pre-mounted at the factory or can be mounted at a later date in the case of unperforated covers. Depending on the type, the turn buckle is screwed or riveted to the cover. In both cases, the holes must be pre-drilled in the cover. The cover is mounted on the cable tray using pre-mounted turn buckles in the same manner as with those installed at a later date.

#### Mounting a turn buckle



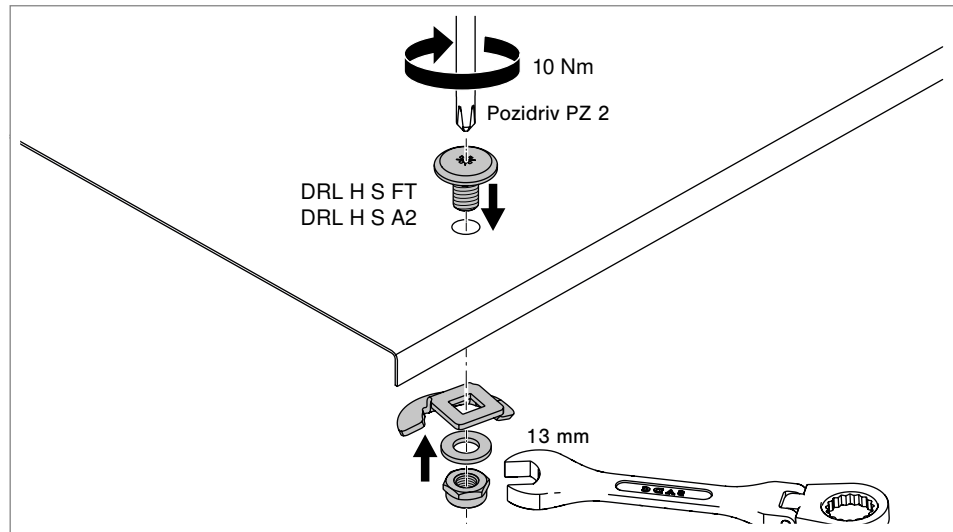
**Fig. 85:** Pre-drill the cover

1. Pre-drill the cover. Distance B from the edge dependent on cover type.

**Note!**

*Fitting covers have been stamped with punch-marks in the factory, which mark the appropriate locations for mounting additional turn buckles.*

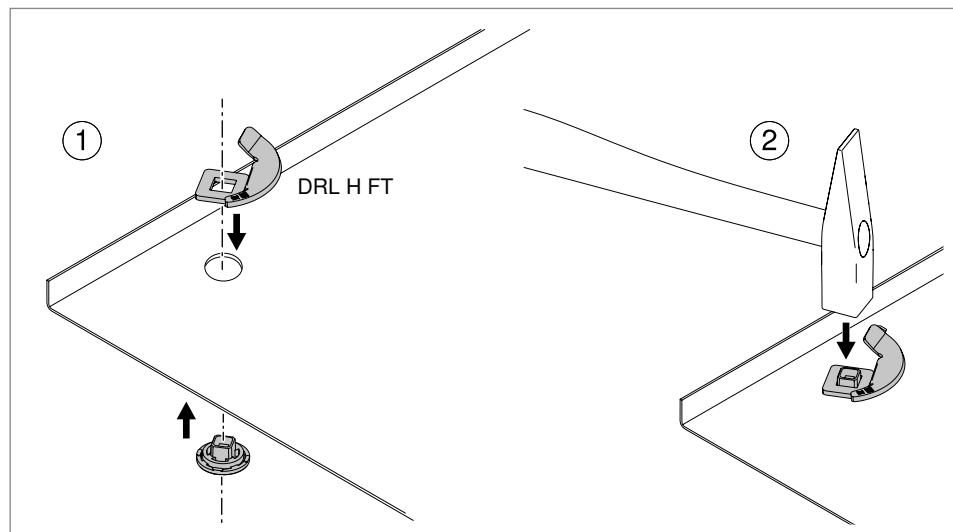
2. Insert the turn buckle button through the hole in the top of the cover.



**Fig. 86:** Screwing on the turn buckle

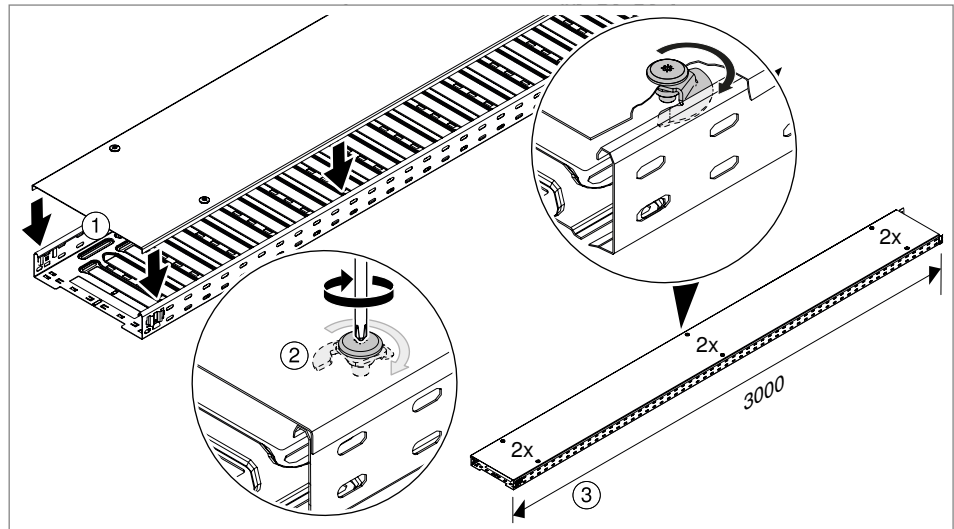
3. Screw the turn buckle and hexagonal nut on the underside of the cover with the washer and turn buckle button.

**Or:**



**Fig. 87:** Riveting the turn buckle

4. Rivet the turn buckle on the underside of the cover with the turn buckle button.



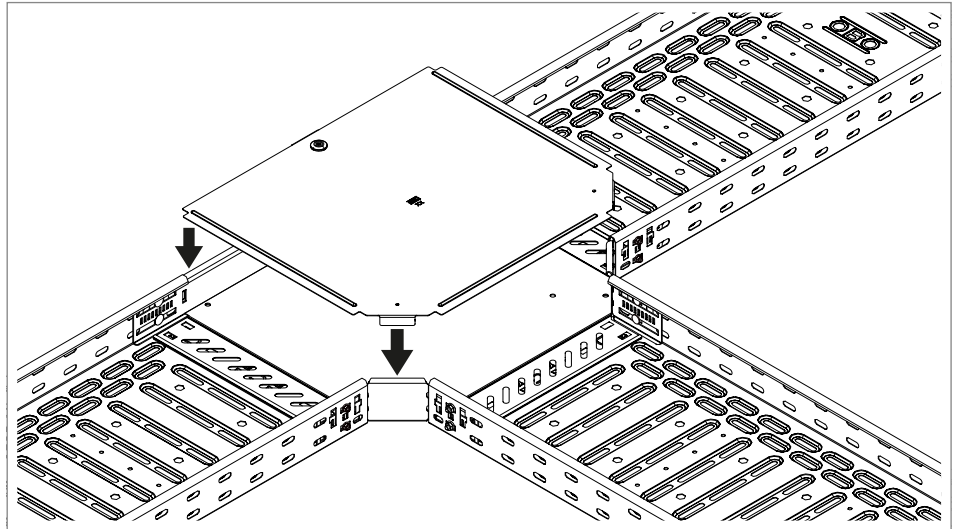
**Fig. 88:** Mounting the cover with Helix turn buckle

5. Mount at least 3 x 2 turn buckles for each 3,000 mm of cover length.
6. Position the cover on the cable tray.
7. Lock the turn buckle button on the cable tray using a screwdriver.

### 6.8.3 Mounting a fitting cover

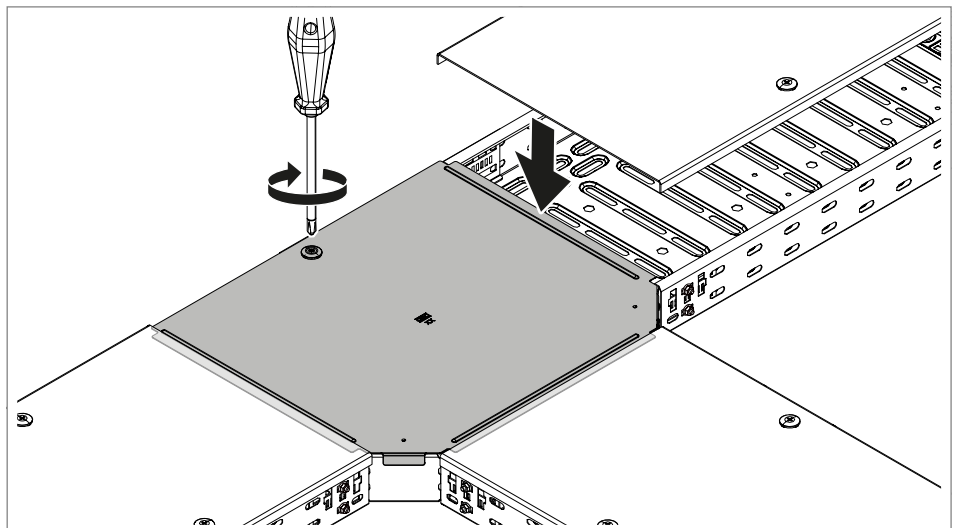
The fitting covers are supplied with either no, one or multiple pre-mounted turn buckles, depending on the fitting. Due to the particular shape of the sheet metal, the fitting cover is held in place additionally or exclusively by the path cover. The mounting of additional turn buckles is performed as described in chapter „6.8.2 Mounting a cover with turn buckle“ on page 60.

**Note!** *Fitting covers have been stamped with punch-marks in the factory, which mark the appropriate locations for mounting additional turn buckles.*



**Fig. 89:** Positioning a fitting cover

1. Position the fitting cover on the fitting so that the straps lie against the outside of the rail.



**Fig. 90:** Securing the fitting cover with path covers

2. Lock the turn buckle.
3. Place the path cover in such a way that the sheet ends of the fitting cover are covered.

## 7 Maintaining the system

The stability and function of the latchable cable tray systems can be impaired by external influences, such as damage or machine vibrations.

Loose connection elements must be retightened and damaged parts replaced. The connection to the overall equipotential bonding must be continually intact and thus checked regularly.

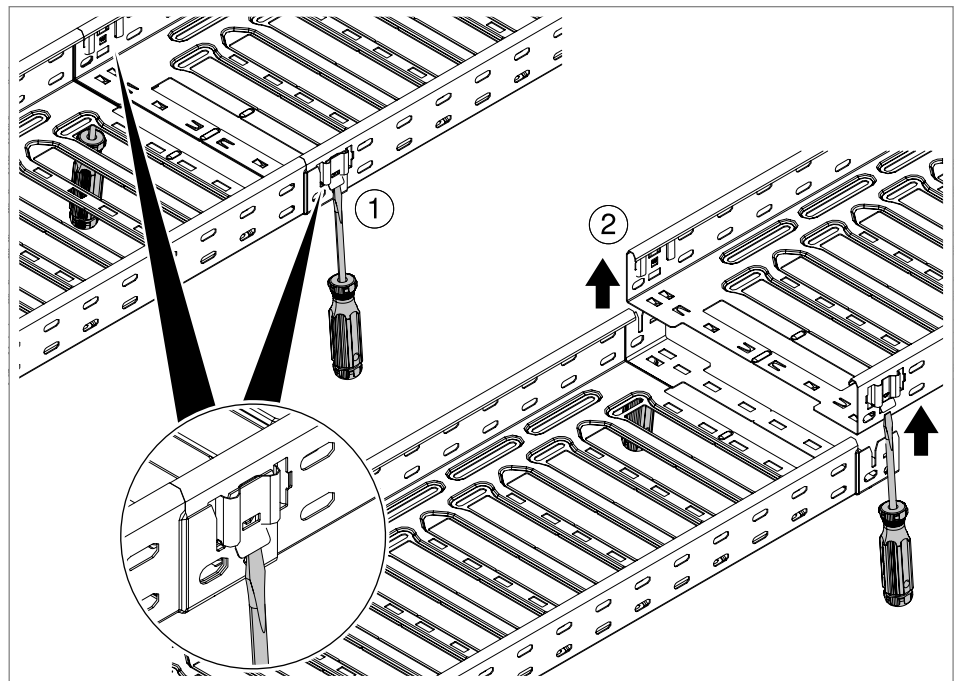
## 8 Dismantling the system

All the elements of the cable tray systems are dismantled in the reverse order to the mounting.

A cover lifter (item no. 6049285) can be used to dismantle the covers mounted with cover clamps.

### 8.1 Releasing the latchable Magic connection

The connection can be released with a screwdriver.



**Abb. 91:** Releasing the latchable Magic connection

1. Push a slotted screwdriver under the spring element on both sides of the tray.
2. Push up the cable tray.



## 9 Disposing of the system

Comply with the local waste disposal regulations.

- Metal: As scrap metal
- Plastic parts: As plastic
- Packaging: As household waste/as metal (depending on packaging type)

## 10 Technical data

### 10.1 Article list

G = Electrogalvanised

F = Hot galvanised

FS = Strip galvanised

FT = Hot-dip galvanised

A2 = Stainless steel

A4 = Stainless steel

CuCn37 = Brass

DD = Double-dip galvanisation

### Cable trays, length 3,050 mm

Designation	Type	Side height mm	Width mm	Surface	Item no.
RKSM Magic cable tray, with quick connector	RKSM 310 FS	35	100	FS	6047417
RKSM Magic cable tray, with quick connector	RKSM 320 FS	35	200	FS	6047433
RKSM Magic cable tray, with quick connector	RKSM 330 FS	35	300	FS	6047460
RKSM Magic cable tray, with quick connector	RKSM 610 FS	60	100	FS	6047611
RKSM Magic cable tray, with quick connector	RKSM 615 FS	60	150	FS	6047630
RKSM Magic cable tray, with quick connector	RKSM 620 FS	60	200	FS	6047638
RKSM Magic cable tray, with quick connector	RKSM 630 FS	60	300	FS	6047654
RKSM Magic cable tray, with quick connector	RKSM 640 FS	60	400	FS	6047689
RKSM Magic cable tray, with quick connector	RKSM 650 FS	60	500	FS	6047719
RKSM Magic cable tray, with quick connector	RKSM 660 FS	60	600	FS	6047735
RKSM Magic cable tray, with quick connector	RKSM 610 FS	85	100	FS	6059080
RKSM Magic cable tray, with quick connector	RKSM 620 FS	85	200	FS	6059084
RKSM Magic cable tray, with quick connector	RKSM 630 FS	85	300	FS	6059086
RKSM Magic cable tray, with quick connector	RKSM 640 FS	85	400	FS	6059088
RKSM Magic cable tray, with quick connector	RKSM 610 FT	60	100	FT	6047612
RKSM Magic cable tray, with quick connector	RKSM 615 FT	60	150	FT	6047631
RKSM Magic cable tray, with quick connector	RKSM 620 FT	60	200	FT	6047639

## Technical data

Designation	Type	Side height mm	Width mm	Surface	Item no.
RKSM Magic cable tray, with quick connector	RKSM 630 FT	60	300	FT	6047655
RKSM Magic cable tray, with quick connector	RKSM 640 FT	60	400	FT	6047690
RKSM Magic cable tray, with quick connector	RKSM 650 FT	60	500	FT	6047720
RKSM Magic cable tray, with quick connector	RKSM 660 FT	60	600	FT	6047736
RKSM Magic cable tray, with quick connector	RKSM 610 A2	60	100	A2	6047613
RKSM Magic cable tray, with quick connector	RKSM 620 A2	60	200	A2	6047640
RKSM Magic cable tray, with quick connector	RKSM 630 A2	60	300	A2	6047656
RKSM Magic cable tray, with quick connector	RKSM 640 A2	60	400	A2	6047691
RKSM Magic cable tray, with quick connector	RKSM 650 A2	60	500	A2	6047721
RKSM Magic cable tray, with quick connector	RKSM 660 A2	60	600	A2	6047737
RKSM Magic cable tray, with quick connector	RKSM 610 A4	60	100	A4	6047614
RKSM Magic cable tray, with quick connector	RKSM 615 A4	60	150	A4	6047633
RKSM Magic cable tray, with quick connector	RKSM 620 A4	60	200	A4	6047641
RKSM Magic cable tray, with quick connector	RKSM 630 A4	60	300	A4	6047657
RKSM Magic cable tray, with quick connector	RKSM 640 A4	60	400	A4	6047692
RKSM Magic cable tray, with quick connector	RKSM 650 A4	60	500	A4	6047722
RKSM Magic cable tray, with quick connector	RKSM 660 A4	60	600	A4	6047738
MKSM cable tray, perforated, with quick connector	MKSM 610 FS	60	100	FS	6059000
MKSM cable tray, perforated, with quick connector	MKSM 615 FS	60	150	FS	6059002
MKSM cable tray, perforated, with quick connector	MKSM 620 FS	60	200	FS	6059004
MKSM cable tray, perforated, with quick connector	MKSM 630 FS	60	300	FS	6059006
MKSM cable tray, perforated, with quick connector	MKSM 640 FS	60	400	FS	6059008
MKSM cable tray, perforated, with quick connector	MKSM 650 FS	60	500	FS	6059010
MKSM cable tray, perforated, with quick connector	MKSM 660 FS	60	600	FS	6059012
MKSM cable tray, perforated, with quick connector	MKSM 610 FS	85	100	FS	6059080
MKSM cable tray, perforated, with quick connector	MKSM 620 FS	85	200	FS	6059084
MKSM cable tray, perforated, with quick connector	MKSM 630 FS	85	300	FS	6059086
MKSM cable tray, perforated, with quick connector	MKSM 640 FS	85	400	FS	6059088
MKSM cable tray, perforated, with quick connector	MKSM 650 FS	85	500	FS	6059090

Designation	Type	Side height mm	Width mm	Surface	Item no.
MKSM cable tray, perforated, with quick connector	MKSM 660 FS	85	600	FS	6059092
MKSM cable tray, perforated, with quick connector	MKSM 110 FS	110	100	FS	6059156
MKSM cable tray, perforated, with quick connector	MKSM 115 FS	110	150	FS	6059158
MKSM cable tray, perforated, with quick connector	MKSM 120 FS	110	200	FS	6059160
MKSM cable tray, perforated, with quick connector	MKSM 130 FS	110	300	FS	6059162
MKSM cable tray, perforated, with quick connector	MKSM 140 FS	110	400	FS	6059164
MKSM cable tray, perforated, with quick connector	MKSM 150 FS	110	500	FS	6059166
MKSM cable tray, perforated, with quick connector	MKSM 160 FS	110	600	FS	6059168
MKSM cable tray, perforated, with quick connector	MKSM 610 FT	60	100	FT	6059018
MKSM cable tray, perforated, with quick connector	MKSM 615 FT	60	150	FT	6059020
MKSM cable tray, perforated, with quick connector	MKSM 620 FT	60	200	FT	6059022
MKSM cable tray, perforated, with quick connector	MKSM 630 FT	60	300	FT	6059025
MKSM cable tray, perforated, with quick connector	MKSM 640 FT	60	400	FT	6059027
MKSM cable tray, perforated, with quick connector	MKSM 650 FT	60	500	FT	6059029
MKSM cable tray, perforated, with quick connector	MKSM 660 FT	60	600	FT	6059032
MKSM cable tray, perforated, with quick connector	MKSM 810 FT	85	100	FT	6059097
MKSM cable tray, perforated, with quick connector	MKSM 820 FT	85	200	FT	6059101
MKSM cable tray, perforated, with quick connector	MKSM 830 FT	85	300	FT	6059103
MKSM cable tray, perforated, with quick connector	MKSM 840 FT	85	400	FT	6059105
MKSM cable tray, perforated, with quick connector	MKSM 850 FT	85	500	FT	6059107
MKSM cable tray, perforated, with quick connector	MKSM 860 FT	85	600	FT	6059109
MKSM cable tray, perforated, with quick connector	MKSM 110 FT	110	100	FT	6059173
MKSM cable tray, perforated, with quick connector	MKSM 110 FT	110	100	FT	6059190
MKSM cable tray, perforated, with quick connector	MKSM 115 FT	110	150	FT	6059175
MKSM cable tray, perforated, with quick connector	MKSM 120 FT	110	200	FT	6059177
MKSM cable tray, perforated, with quick connector	MKSM 120 FT	110	200	FT	6059194
MKSM cable tray, perforated, with quick connector	MKSM 130 FT	110	300	FT	6059179
MKSM cable tray, perforated, with quick connector	MKSM 130 FT	110	300	FT	6059196
MKSM cable tray, perforated, with quick connector	MKSM 140 FT	110	400	FT	6059181

## Technical data

Designation	Type	Side height mm	Width mm	Surface	Item no.
MKSM cable tray, perforated, with quick connector	MKSM 140 FT	110	400	FT	6059198
MKSM cable tray, perforated, with quick connector	MKSM 140 FT	110	400	FT	6059198
MKSM cable tray, perforated, with quick connector	MKSM 150 FT	110	500	FT	6059200
MKSM cable tray, perforated, with quick connector	MKSM 160 FT	110	600	FT	6059185
MKSM cable tray, perforated, with quick connector	MKSM 160 FT	110	600	FT	6059202
MKSMU cable tray, unperforated, with quick connector	MKSMU 610 FS	60	100	FS	6059320
MKSMU cable tray, unperforated, with quick connector	MKSMU 615 FS	60	150	FS	6059232
MKSMU cable tray, unperforated, with quick connector	MKSMU 620 FS	60	200	FS	6059234
MKSMU cable tray, unperforated, with quick connector	MKSMU 630 FS	60	300	FS	6059237
MKSMU cable tray, unperforated, with quick connector	MKSMU 640 FS	60	400	FS	6059239
MKSMU cable tray, unperforated, with quick connector	MKSMU 650 FS	60	500	FS	6059241
MKSMU cable tray, unperforated, with quick connector	MKSMU 660 FS	60	600	FS	6059243
MKSMU cable tray, unperforated, with quick connector	MKSMU 810 FS	85	100	FS	6059308
MKSMU cable tray, unperforated, with quick connector	MKSMU 820 FS	85	200	FS	6059312
MKSMU cable tray, unperforated, with quick connector	MKSMU 830 FS	85	300	FS	6059314
MKSMU cable tray, unperforated, with quick connector	MKSMU 840 FS	85	400	FS	6059316
MKSMU cable tray, unperforated, with quick connector	MKSMU 850 FS	85	500	FS	6059318
MKSMU cable tray, unperforated, with quick connector	MKSMU 860 FS	85	600	FS	6059320
MKSMU cable tray, unperforated, with quick connector	MKSMU 110 FS	110	100	FS	6059382
MKSMU cable tray, unperforated, with quick connector	MKSMU 115 FS	110	150	FS	6059384
MKSMU cable tray, unperforated, with quick connector	MKSMU 120 FS	110	200	FS	6059386
MKSMU cable tray, unperforated, with quick connector	MKSMU 130 FS	110	300	FS	6059388
MKSMU cable tray, unperforated, with quick connector	MKSMU 140 FS	110	400	FS	6059390
MKSMU cable tray, unperforated, with quick connector	MKSMU 150 FS	110	500	FS	6059392
MKSMU cable tray, unperforated, with quick connector	MKSMU 160 FS	110	600	FS	6059394
MKSMU cable tray, unperforated, with quick connector	MKSMU 610 FT	60	100	FT	6059248
MKSMU cable tray, unperforated, with quick connector	MKSMU 615 FT	60	150	FT	6059250
MKSMU cable tray, unperforated, with quick connector	MKSMU 620 FT	60	200	FT	6059252
MKSMU cable tray, unperforated, with quick connector	MKSMU 630 FT	60	300	FT	6059254

Designation	Type	Side height mm	Width mm	Surface	Item no.
MKSMU cable tray, unperforated, with quick connector	MKSMU 640 FT	60	400	FT	6059256
MKSMU cable tray, unperforated, with quick connector	MKSMU 650 FT	60	500	FT	6059258
MKSMU cable tray, unperforated, with quick connector	MKSMU 660 FT	60	600	FT	6059260
MKSMU cable tray, unperforated, with quick connector	MKSMU 810 FT	85	100	FT	6059325
MKSMU cable tray, unperforated, with quick connector	MKSMU 820 FT	85	200	FT	6059329
MKSMU cable tray, unperforated, with quick connector	MKSMU 830 FT	85	300	FT	6059331
MKSMU cable tray, unperforated, with quick connector	MKSMU 840 FT	85	400	FT	6059333
MKSMU cable tray, unperforated, with quick connector	MKSMU 850 FT	85	500	FT	6059335
MKSMU cable tray, unperforated, with quick connector	MKSMU 860 FT	85	600	FT	6059337
MKSMU cable tray, unperforated, with quick connector	MKSMU 110 FT	110	100	FT	6059399
MKSMU cable tray, unperforated, with quick connector	MKSMU 110 FT	110	100	FT	6059416
MKSMU cable tray, unperforated, with quick connector	MKSMU 115 FT	110	150	FT	6059401
MKSMU cable tray, unperforated, with quick connector	MKSMU 120 FT	110	200	FT	6059403
MKSMU cable tray, unperforated, with quick connector	MKSMU 120 FT	110	200	FT	6059420
MKSMU cable tray, unperforated, with quick connector	MKSMU 130 FT	110	300	FT	6059405
MKSMU cable tray, unperforated, with quick connector	MKSMU 130 FT	110	300	FT	6059422
MKSMU cable tray, unperforated, with quick connector	MKSMU 140 FT	110	400	FT	6059407
MKSMU cable tray, unperforated, with quick connector	MKSMU 140 FT	110	400	FT	6059424
MKSMU cable tray, unperforated, with quick connector	MKSMU 150 FT	110	500	FT	6059409
MKSMU cable tray, unperforated, with quick connector	MKSMU 150 FT	110	500	FT	6059426
MKSMU cable tray, unperforated, with quick connector	MKSMU 160 FT	110	600	FT	6059411
MKSMU cable tray, unperforated, with quick connector	MKSMU 160 FT	110	600	FT	6059428
MKSMU cable tray, unperforated, with quick connector	MKSMU 610 A2	60	100	A2	6059265
MKSMU cable tray, unperforated, with quick connector	MKSMU 620 A2	60	200	A2	6059269
MKSMU cable tray, unperforated, with quick connector	MKSMU 630 A2	60	300	A2	6059271
MKSMU cable tray, unperforated, with quick connector	MKSMU 640 A2	60	400	A2	6059273
MKSMU cable tray, unperforated, with quick connector	MKSMU 650 A2	60	500	A2	6059275
MKSMU cable tray, unperforated, with quick connector	MKSMU 660 A2	60	600	A2	6059277
SKSM cable tray, perforated, with quick connector	SKSM 610 FS	60	100	FS	6059456

## Technical data

Designation	Type	Side height mm	Width mm	Surface	Item no.
SKSM cable tray, perforated, with quick connector	SKSM 615 FS	60	150	FS	6059458
SKSM cable tray, perforated, with quick connector	SKSM 620 FS	60	200	FS	6059460
SKSM cable tray, perforated, with quick connector	SKSM 630 FS	60	300	FS	6059462
SKSM cable tray, perforated, with quick connector	SKSM 640 FS	60	400	FS	6059464
SKSM cable tray, perforated, with quick connector	SKSM 650 FS	60	500	FS	6059466
SKSM cable tray, perforated, with quick connector	SKSM 660 FS	60	600	FS	6059468
SKSM cable tray, perforated, with quick connector	SKSM 810 FS	85	100	FS	6059530
SKSM cable tray, perforated, with quick connector	SKSM 820 FS	85	200	FS	6059534
SKSM cable tray, perforated, with quick connector	SKSM 830 FS	85	300	FS	6059536
SKSM cable tray, perforated, with quick connector	SKSM 840 FS	85	400	FS	6059538
SKSM cable tray, perforated, with quick connector	SKSM 850 FS	85	500	FS	6059540
SKSM cable tray, perforated, with quick connector	SKSM 860 FS	85	600	FS	6059542
SKSM cable tray, perforated, with quick connector	SKSM 110 FS	110	100	FS	6059614
SKSM cable tray, perforated, with quick connector	SKSM 115 FS	110	150	FS	6059616
SKSM cable tray, perforated, with quick connector	SKSM 120 FS	110	200	FS	6059618
SKSM cable tray, perforated, with quick connector	SKSM 130 FS	110	300	FS	6059620
SKSM cable tray, perforated, with quick connector	SKSM 140 FS	110	400	FS	6059622
SKSM cable tray, perforated, with quick connector	SKSM 150 FS	110	500	FS	6059624
SKSM cable tray, perforated, with quick connector	SKSM 160 FS	110	600	FS	6059626
SKSM cable tray, perforated, with quick connector	SKSM 610 FT	60	100	FT	6059473
SKSM cable tray, perforated, with quick connector	SKSM 615 FT	60	150	FT	6059475
SKSM cable tray, perforated, with quick connector	SKSM 620 FT	60	200	FT	6059477
SKSM cable tray, perforated, with quick connector	SKSM 630 FT	60	300	FT	6059479
SKSM cable tray, perforated, with quick connector	SKSM 640 FT	60	400	FT	6059481
SKSM cable tray, perforated, with quick connector	SKSM 650 FT	60	500	FT	6059483
SKSM cable tray, perforated, with quick connector	SKSM 660 FT	60	600	FT	6059485
SKSM cable tray, perforated, with quick connector	SKSM 810 FT	85	100	FT	6059549
SKSM cable tray, perforated, with quick connector	SKSM 820 FT	85	200	FT	6059553
SKSM cable tray, perforated, with quick connector	SKSM 830 FT	85	300	FT	6059555

Designation	Type	Side height mm	Width mm	Surface	Item no.
SKSM cable tray, perforated, with quick connector	SKSM 840 FT	85	400	FT	6059557
SKSM cable tray, perforated, with quick connector	SKSM 850 FT	85	500	FT	6059559
SKSM cable tray, perforated, with quick connector	SKSM 860 FT	85	600	FT	6059561
SKSM cable tray, perforated, with quick connector	SKSM 110 FT	110	100	FT	6059631
SKSM cable tray, perforated, with quick connector	SKSM 115 FT	110	150	FT	6059633
SKSM cable tray, perforated, with quick connector	SKSM 120 FT	110	200	FT	6059635
SKSM cable tray, perforated, with quick connector	SKSM 130 FT	110	300	FT	6059637
SKSM cable tray, perforated, with quick connector	SKSM 140 FT	110	400	FT	6059639
SKSM cable tray, perforated, with quick connector	SKSM 150 FT	110	500	FT	6059641
SKSM cable tray, perforated, with quick connector	SKSM 160 FT	110	600	FT	6059643
SKSM cable tray, perforated, with quick connector	SKSM 610 A2	60	100	A2	6059490
SKSM cable tray, perforated, with quick connector	SKSM 620 A2	60	200	A2	6059494
SKSM cable tray, perforated, with quick connector	SKSM 630 A2	60	300	A2	6059496
SKSM cable tray, perforated, with quick connector	SKSM 640 A2	60	400	A2	6059498
SKSM cable tray, perforated, with quick connector	SKSM 650 A2	60	500	A2	6059500
SKSM cable tray, perforated, with quick connector	SKSM 660 A2	60	600	A2	6059502
SKSM cable tray, perforated, with quick connector	SKSM 610 A4	60	100	A4	6059507
SKSM cable tray, perforated, with quick connector	SKSM 620 A4	60	200	A4	6059511
SKSM cable tray, perforated, with quick connector	SKSM 630 A4	60	300	A4	6059513
SKSM cable tray, perforated, with quick connector	SKSM 640 A4	60	400	A4	6059515
SKSM cable tray, perforated, with quick connector	SKSM 650 A4	60	500	A4	6059517
SKSM cable tray, perforated, with quick connector	SKSM 660 A4	60	600	A4	6059519
SKSMU cable tray, unperforated, quick connector	SKSMU 610 FS	60	100	FS	6059688
SKSMU cable tray, unperforated, quick connector	SKSMU 615 FS	60	150	FS	6059690
SKSMU cable tray, unperforated, quick connector	SKSMU 620 FS	60	200	FS	6059692
SKSMU cable tray, unperforated, quick connector	SKSMU 630 FS	60	300	FS	6059694
SKSMU cable tray, unperforated, quick connector	SKSMU 640 FS	60	400	FS	6059696
SKSMU cable tray, unperforated, quick connector	SKSMU 650 FS	60	500	FS	6059698
SKSMU cable tray, unperforated, quick connector	SKSMU 660 FS	60	600	FS	6059700

## Technical data

Designation	Type	Side height mm	Width mm	Surface	Item no.
SKSMU cable tray, unperforated, quick connector	SKSMU 810 FS	85	100	FS	6059762
SKSMU cable tray, unperforated, quick connector	SKSMU 820 FS	85	200	FS	6059766
SKSMU cable tray, unperforated, quick connector	SKSMU 830 FS	85	300	FS	6059768
SKSMU cable tray, unperforated, quick connector	SKSMU 840 FS	85	400	FS	6059770
SKSMU cable tray, unperforated, quick connector	SKSMU 850 FS	85	500	FS	6059772
SKSMU cable tray, unperforated, quick connector	SKSMU 860 FS	85	600	FS	6059774
SKSMU cable tray, unperforated, quick connector	SKSMU 110 FS	110	100	FS	6059836
SKSMU cable tray, unperforated, quick connector	SKSMU 115 FS	110	150	FS	6059838
SKSMU cable tray, unperforated, quick connector	SKSMU 120 FS	110	200	FS	6059840
SKSMU cable tray, unperforated, quick connector	SKSMU 130 FS	110	300	FS	6059842
SKSMU cable tray, unperforated, quick connector	SKSMU 140 FS	110	400	FS	6059844
SKSMU cable tray, unperforated, quick connector	SKSMU 150 FS	110	500	FS	6059846
SKSMU cable tray, unperforated, quick connector	SKSMU 160 FS	110	600	FS	6059848
SKSMU cable tray, unperforated, quick connector	SKSMU 610 FT	60	100	FT	6059705
SKSMU cable tray, unperforated, quick connector	SKSMU 615 FT	60	150	FT	6059707
SKSMU cable tray, unperforated, quick connector	SKSMU 620 FT	60	200	FT	6059709
SKSMU cable tray, unperforated, quick connector	SKSMU 630 FT	60	300	FT	6059711
SKSMU cable tray, unperforated, quick connector	SKSMU 640 FT	60	400	FT	6059713
SKSMU cable tray, unperforated, quick connector	SKSMU 650 FT	60	500	FT	6059715
SKSMU cable tray, unperforated, quick connector	SKSMU 660 FT	60	600	FT	6059717
SKSMU cable tray, unperforated, quick connector	SKSMU 810 FT	85	100	FT	6059779
SKSMU cable tray, unperforated, quick connector	SKSMU 820 FT	85	200	FT	6059783
SKSMU cable tray, unperforated, quick connector	SKSMU 830 FT	85	300	FT	6059785
SKSMU cable tray, unperforated, quick connector	SKSMU 840 FT	85	400	FT	6059787
SKSMU cable tray, unperforated, quick connector	SKSMU 850 FT	85	500	FT	6059789
SKSMU cable tray, unperforated, quick connector	SKSMU 860 FT	85	600	FT	6059791
SKSMU cable tray, unperforated, quick connector	SKSMU 110 FT	110	100	FT	6059853
SKSMU cable tray, unperforated, quick connector	SKSMU 115 FT	110	150	FT	6059855
SKSMU cable tray, unperforated, quick connector	SKSMU 120 FT	110	200	FT	6059857



Designation	Type	Side height mm	Width mm	Surface	Item no.
SKSMU cable tray, unperforated, quick connector	SKSMU 130 FT	110	300	FT	6059859
SKSMU cable tray, unperforated, quick connector	SKSMU 140 FT	110	400	FT	6059861
SKSMU cable tray, unperforated, quick connector	SKSMU 150 FT	110	500	FT	6059863
SKSMU cable tray, unperforated, quick connector	SKSMU 160 FT	110	600	FT	6059865
SKSMU cable tray, unperforated, quick connector	SKSMU 610 A2	60	100	A2	6059722
SKSMU cable tray, unperforated, quick connector	SKSMU 620 A2	60	200	A2	6059726
SKSMU cable tray, unperforated, quick connector	SKSMU 630 A2	60	300	A2	6059728
SKSMU cable tray, unperforated, quick connector	SKSMU 640 A2	60	400	A2	6059730
SKSMU cable tray, unperforated, quick connector	SKSMU 650 A2	60	500	A2	6059732
SKSMU cable tray, unperforated, quick connector	SKSMU 660 A2	60	600	A2	6059734

## Connectors

Designation	Type	Side height mm	Surface	Item no.
Straight connector set, for Magic cable tray	KTSMV 310 FS	35	FS	6068900
Straight connector set, for Magic cable tray	KTSMV 320 FS	35	FS	6068902
Straight connector set, for Magic cable tray	KTSMV 330 FS	35	FS	6068904
Straight connector set, for Magic cable tray	KTSMV 610 FS	60	FS	6068914
Straight connector set, for Magic cable tray	KTSMV 615 FS	60	FS	6068916
Straight connector set, for Magic cable tray	KTSMV 620 FS	60	FS	6068918
Straight connector set, for Magic cable tray	KTSMV 630 FS	60	FS	6068920
Straight connector set, for Magic cable tray	KTSMV 640 FS	60	FS	6068922
Straight connector set, for Magic cable tray	KTSMV 650 FS	60	FS	6068924
Straight connector set, for Magic cable tray	KTSMV 660 FS	60	FS	6068926
Straight connector set, for Magic cable tray	KTSMV 810 FS	85	FS	6069002
Straight connector set, for Magic cable tray	KTSMV 820 FS	85	FS	6069006
Straight connector set, for Magic cable tray	KTSMV 830 FS	85	FS	6069008
Straight connector set, for Magic cable tray	KTSMV 840 FS	85	FS	6069010
Straight connector set, for Magic cable tray	KTSMV 850 FS	85	FS	6069012
Straight connector set, for Magic cable tray	KTSMV 860 FS	85	FS	6069014
Straight connector set, for Magic cable tray	KTSMV 110 FS	110	FS	6069090
Straight connector set, for Magic cable tray	KTSMV 115 FS	110	FS	6069092
Straight connector set, for Magic cable tray	KTSMV 120 FS	110	FS	6069094
Straight connector set, for Magic cable tray	KTSMV 130 FS	110	FS	6069096
Straight connector set, for Magic cable tray	KTSMV 140 FS	110	FS	6069098
Straight connector set, for Magic cable tray	KTSMV 150 FS	110	FS	6069100
Straight connector set, for Magic cable tray	KTSMV 160 FS	110	FS	6069102

## Technical data

Designation	Type	Side height mm	Surface	Item no.
Straight connector set, for Magic cable tray	KTSMV 610 A2	60	A2	6068958
Straight connector set, for Magic cable tray	KTSMV 615 A2	60	A2	6068960
Straight connector set, for Magic cable tray	KTSMV 620 A2	60	A2	6068962
Straight connector set, for Magic cable tray	KTSMV 630 A2	60	A2	6068964
Straight connector set, for Magic cable tray	KTSMV 640 A2	60	A2	6068966
Straight connector set, for Magic cable tray	KTSMV 650 A2	60	A2	6068968
Straight connector set, for Magic cable tray	KTSMV 660 A2	60	A2	6068970
Straight connector set, for Magic cable tray	KTSMV 110 A2	110	A2	6069134
Straight connector set, for Magic cable tray	KTSMV 120 A2	110	A2	6069138
Straight connector set, for Magic cable tray	KTSMV 130 A2	110	A2	6069140
Straight connector set, for Magic cable tray	KTSMV 140 A2	110	A2	6069142
Straight connector set, for Magic cable tray	KTSMV 150 A2	110	A2	6069144
Straight connector set, for Magic cable tray	KTSMV 160 A2	110	A2	6069146
Straight connector set, for Magic cable tray	KTSMV 610 A4	60	A4	6068980
Straight connector set, for Magic cable tray	KTSMV 615 A4	60	A4	6068982
Straight connector set, for Magic cable tray	KTSMV 620 A4	60	A4	6068984
Straight connector set, for Magic cable tray	KTSMV 630 A4	60	A4	6068986
Straight connector set, for Magic cable tray	KTSMV 640 A4	60	A4	6068988
Straight connector set, for Magic cable tray	KTSMV 650 A4	60	A4	6068990
Straight connector set, for Magic cable tray	KTSMV 660 A4	60	A4	6068992
Straight connector set, for Magic cable tray	KTSMV 610 DD	60	DD	6068936
Straight connector set, for Magic cable tray	KTSMV 615 DD	60	DD	6068938
Straight connector set, for Magic cable tray	KTSMV 620 DD	60	DD	6068940
Straight connector set, for Magic cable tray	KTSMV 630 DD	60	DD	6068942
Straight connector set, for Magic cable tray	KTSMV 640 DD	60	DD	6068944
Straight connector set, for Magic cable tray	KTSMV 650 DD	60	DD	6068946
Straight connector set, for Magic cable tray	KTSMV 660 DD	60	DD	6068948
Straight connector set, for Magic cable tray	KTSMV 810 DD	85	DD	6069024
Straight connector set, for Magic cable tray	KTSMV 820 DD	85	DD	6069028
Straight connector set, for Magic cable tray	KTSMV 830 DD	85	DD	6069030
Straight connector set, for Magic cable tray	KTSMV 840 DD	85	DD	6069032
Straight connector set, for Magic cable tray	KTSMV 850 DD	85	DD	6069034
Straight connector set, for Magic cable tray	KTSMV 860 DD	85	DD	6069036
Straight connector set, for Magic cable tray	KTSMV 110 DD	110	DD	6069112
Straight connector set, for Magic cable tray	KTSMV 115 DD	110	DD	6069114
Straight connector set, for Magic cable tray	KTSMV 120 DD	110	DD	6069116
Straight connector set, for Magic cable tray	KTSMV 130 DD	110	DD	6069118
Straight connector set, for Magic cable tray	KTSMV 140 DD	110	DD	6069120
Straight connector set, for Magic cable tray	KTSMV 150 DD	110	DD	6069122

Designation	Type	Side height mm	Surface	Item no.
Straight connector set, for Magic cable tray	KTSMV 160 DD	110	DD	6069124
Straight connector for cable tray	RLVK 35 FS	35	FS	6067085
Straight connector for cable tray	RLVK 60 FS	60	FS	6067093
Straight connector for cable tray	RLVK 60 FT	60	FT	6067603
Straight connector for cable tray	RLVK 60 A2	60	A2	6067654
Straight connector for cable tray	RLVK 60 A4	60	A4	6067675
Straight and angle connector, for cable tray, horizontal	RLVL 110 FS	110	FS	6067131
Straight and angle connector, for cable tray, horizontal	RLVL 85 FT	85	FT	6067816
Straight and angle connector, for cable tray, horizontal	RLVL 110 FT	110	FT	6067913
Straight and angle connector, for cable tray, horizontal	RLVL 110 A2	110	A2	6067948
Straight and angle connector, for cable tray, horizontal	RWVL 35 FS	35	FS	6067107
Straight and angle connector, for cable tray, horizontal	RWVL 60 FS	60	FS	6067115
Straight and angle connector, for cable tray, horizontal	RWVL 35 FT	35	FT	6067328
Straight and angle connector, for cable tray, horizontal	RWVL 60 FT	60	FT	6067611
Straight and angle connector, for cable tray, horizontal	RWVL 60 A2	60	A2	6067662
Straight and angle connector, for cable tray, horizontal	RWVL 60 A4	60	A4	6067664
Adjustable connector for cable tray	RGV 35 FS	35	FS	7082002
Adjustable connector for cable tray	RGV 60 FS	60	FS	7082010
Adjustable connector for cable tray	RGV 85 FS	85	FS	7082029
Adjustable connector for cable tray	RGV 110 FS	110	FS	7082037
Adjustable connector for cable tray	RGV 35 FT	35	FT	7082126
Adjustable connector for cable tray	RGV 60 FT	60	FT	7082223
Adjustable connector for cable tray	RGV 85 FT	85	FT	7082320
Adjustable connector for cable tray	RGV 110 FT	110	FT	7082436
Adjustable connector for cable tray	RGV 60 A2	60	A2	7082258
Adjustable connector for cable tray	RGV 110 A2	110	A2	7082479
Adjustable connector for cable tray	RGV 60 A4	60	A4	7082265
Corner connector for cable tray	REV 35 FS	35	FS	6067956
Corner connector for cable tray	REV 60 FS	60	FS	6067972
Corner connector for cable tray	REV 85 FS	85	FS	6067980
Corner connector for cable tray	REV 110 FS	110	FS	6067999
Corner connector for cable tray	REV 60 A2	60	A2	6068022

## Technical data

Designation	Type	Side height mm	Surface	Item no.
Corner connector for cable tray	REV 110 A2	110	A2	6068049
Corner connector for cable tray	REV 60 A4	60	A4	6068054
Corner connector for cable tray	REV 35 DD	35	DD	6069304
Corner connector for cable tray	REV 60 DD	60	DD	6069410
Corner connector for cable tray	REV 85 DD	85	DD	6069320
Corner connector for cable tray	REV 110 DD	110	DD	6069339

## Fittings

Designation	Type	Side height mm	Width mm	Surface	Item no.
90° bend for cable tray, horizontal	RB 90 310 FS	35	100	FS	6036500
90° bend for cable tray, horizontal	RB 90 320 FS	35	200	FS	6036502
90° bend for cable tray, horizontal	RB 90 330 FS	35	300	FS	6036504
90° bend for cable tray, horizontal	RB 90 610 FS	60	100	FS	6036560
90° bend for cable tray, horizontal	RB 90 615 FS	60	150	FS	6036562
90° bend for cable tray, horizontal	RB 90 620 FS	60	200	FS	6036564
90° bend for cable tray, horizontal	RB 90 630 FS	60	300	FS	6036566
90° bend for cable tray, horizontal	RB 90 640 FS	60	400	FS	6036568
90° bend for cable tray, horizontal	RB 90 650 FS	60	500	FS	6036570
90° bend for cable tray, horizontal	RB 90 660 FS	60	600	FS	6036572
90° bend for cable tray, horizontal	RB 90 810 FS	85	100	FS	6036700
90° bend for cable tray, horizontal	RB 90 820 FS	85	200	FS	6036702
90° bend for cable tray, horizontal	RB 90 830 FS	85	300	FS	6036704
90° bend for cable tray, horizontal	RB 90 840 FS	85	400	FS	6036706
90° bend for cable tray, horizontal	RB 90 850 FS	85	500	FS	6036709
90° bend for cable tray, horizontal	RB 90 860 FS	85	600	FS	6036710
90° bend for cable tray, horizontal	RB 90 110 FS	110	100	FS	6036800
90° bend for cable tray, horizontal	RB 90 115 FS	110	150	FS	6036802
90° bend for cable tray, horizontal	RB 90 120 FS	110	200	FS	6036804
90° bend for cable tray, horizontal	RB 90 130 FS	110	300	FS	6036806
90° bend for cable tray, horizontal	RB 90 140 FS	110	400	FS	6036808
90° bend for cable tray, horizontal	RB 90 150 FS	110	500	FS	6036810
90° bend for cable tray, horizontal	RB 90 160 FS	110	600	FS	6036812
90° bend for cable tray, horizontal	RB 90 310 FT	35	100	FT	6036510
90° bend for cable tray, horizontal	RB 90 320 FT	35	200	FT	6036512
90° bend for cable tray, horizontal	RB 90 330 FT	35	300	FT	6036514
90° bend for cable tray, horizontal	RB 90 610 FT	60	100	FT	6036590
90° bend for cable tray, horizontal	RB 90 615 FT	60	150	FT	6036592
90° bend for cable tray, horizontal	RB 90 620 FT	60	200	FT	6036594
90° bend for cable tray, horizontal	RB 90 630 FT	60	300	FT	6036596

Designation	Type	Side height mm	Width mm	Surface	Item no.
90° bend for cable tray, horizontal	RB 90 640 FT	60	400	FT	6036598
90° bend for cable tray, horizontal	RB 90 650 FT	60	500	FT	6036600
90° bend for cable tray, horizontal	RB 90 660 FT	60	600	FT	6036602
90° bend for cable tray, horizontal	RB 90 810 FT	85	100	FT	6036712
90° bend for cable tray, horizontal	RB 90 820 FT	85	200	FT	6036714
90° bend for cable tray, horizontal	RB 90 830 FT	85	300	FT	6036716
90° bend for cable tray, horizontal	RB 90 840 FT	85	400	FT	6036718
90° bend for cable tray, horizontal	RB 90 850 FT	85	500	FT	6036720
90° bend for cable tray, horizontal	RB 90 860 FT	85	600	FT	6036722
90° bend for cable tray, horizontal	RB 90 110 FT	110	100	FT	6036830
90° bend for cable tray, horizontal	RB 90 115 FT	110	150	FT	6036832
90° bend for cable tray, horizontal	RB 90 120 FT	110	200	FT	6036834
90° bend for cable tray, horizontal	RB 90 130 FT	110	300	FT	6036836
90° bend for cable tray, horizontal	RB 90 140 FT	110	400	FT	6036838
90° bend for cable tray, horizontal	RB 90 150 FT	110	500	FT	6036840
90° bend for cable tray, horizontal	RB 90 160 FT	110	600	FT	6036842
90° bend for cable tray, horizontal	RB 90 610 A2	60	100	A2	6036620
90° bend for cable tray, horizontal	RB 90 615 A2	60	150	A2	6036622
90° bend for cable tray, horizontal	RB 90 620 A2	60	200	A2	6036624
90° bend for cable tray, horizontal	RB 90 630 A2	60	300	A2	6036626
90° bend for cable tray, horizontal	RB 90 640 A2	60	400	A2	6036628
90° bend for cable tray, horizontal	RB 90 650 A2	60	500	A2	6036630
90° bend for cable tray, horizontal	RB 90 660 A2	60	600	A2	6036632
90° bend for cable tray, horizontal	RB 90 110 A2	110	100	A2	6036860
90° bend for cable tray, horizontal	RB 90 120 A2	110	200	A2	6036862
90° bend for cable tray, horizontal	RB 90 130 A2	110	300	A2	6036864
90° bend for cable tray, horizontal	RB 90 140 A2	110	400	A2	6036866
90° bend for cable tray, horizontal	RB 90 150 A2	110	500	A2	6036868
90° bend for cable tray, horizontal	RB 90 160 A2	110	600	A2	6036870
90° bend for cable tray, horizontal	RB 90 610 A4	60	100	A4	6036650
90° bend for cable tray, horizontal	RB 90 615 A4	60	150	A4	6036652
90° bend for cable tray, horizontal	RB 90 620 A4	60	200	A4	6036654
90° bend for cable tray, horizontal	RB 90 630 A4	60	300	A4	6036656
90° bend for cable tray, horizontal	RB 90 640 A4	60	400	A4	6036658
90° bend for cable tray, horizontal	RB 90 660 A4	60	600	A4	6036662
45° bend for cable tray, horizontal	RB 45 310 FS	35	100	FS	6036000
45° bend for cable tray, horizontal	RB 45 320 FS	35	200	FS	6036002
45° bend for cable tray, horizontal	RB 45 330 FS	35	300	FS	6036004

## Technical data

Designation	Type	Side height mm	Width mm	Surface	Item no.
45° bend for cable tray, horizontal	RB 45 610 FS	60	100	FS	6036100
45° bend for cable tray, horizontal	RB 45 615 FS	60	150	FS	6036102
45° bend for cable tray, horizontal	RB 45 620 FS	60	200	FS	6036104
45° bend for cable tray, horizontal	RB 45 630 FS	60	300	FS	6036106
45° bend for cable tray, horizontal	RB 45 640 FS	60	400	FS	6036108
45° bend for cable tray, horizontal	RB 45 650 FS	60	500	FS	6036110
45° bend for cable tray, horizontal	RB 45 660 FS	60	600	FS	6036113
45° bend for cable tray, horizontal	RB 45 810 FS	85	100	FS	6036200
45° bend for cable tray, horizontal	RB 45 820 FS	85	200	FS	6036202
45° bend for cable tray, horizontal	RB 45 830 FS	85	300	FS	6036204
45° bend for cable tray, horizontal	RB 45 840 FS	85	400	FS	6036206
45° bend for cable tray, horizontal	RB 45 850 FS	85	500	FS	6036208
45° bend for cable tray, horizontal	RB 45 860 FS	85	600	FS	6036210
45° bend for cable tray, horizontal	RB 45 110 FS	110	100	FS	6036300
45° bend for cable tray, horizontal	RB 45 120 FS	110	200	FS	6036302
45° bend for cable tray, horizontal	RB 45 130 FS	110	300	FS	6036304
45° bend for cable tray, horizontal	RB 45 140 FS	110	400	FS	6036306
45° bend for cable tray, horizontal	RB 45 150 FS	110	500	FS	6036308
45° bend for cable tray, horizontal	RB 45 160 FS	110	600	FS	6036310
45° bend for cable tray, horizontal	RB 45 310 FT	35	100	FT	6036010
45° bend for cable tray, horizontal	RB 45 320 FT	35	200	FT	6036012
45° bend for cable tray, horizontal	RB 45 330 FT	35	300	FT	6036014
45° bend for cable tray, horizontal	RB 45 610 FT	60	100	FT	6036130
45° bend for cable tray, horizontal	RB 45 615 FT	60	150	FT	6036132
45° bend for cable tray, horizontal	RB 45 620 FT	60	200	FT	6036134
45° bend for cable tray, horizontal	RB 45 630 FT	60	300	FT	6036136
45° bend for cable tray, horizontal	RB 45 640 FT	60	400	FT	6036138
45° bend for cable tray, horizontal	RB 45 650 FT	60	500	FT	6036140
45° bend for cable tray, horizontal	RB 45 660 FT	60	600	FT	6036142
45° bend for cable tray, horizontal	RB 45 810 FT	85	100	FT	6036230
45° bend for cable tray, horizontal	RB 45 820 FT	85	200	FT	6036232
45° bend for cable tray, horizontal	RB 45 830 FT	85	300	FT	6036234
45° bend for cable tray, horizontal	RB 45 840 FT	85	400	FT	6036236
45° bend for cable tray, horizontal	RB 45 850 FT	85	500	FT	6036238
45° bend for cable tray, horizontal	RB 45 860 FT	85	600	FT	6036240
45° bend for cable tray, horizontal	RB 45 110 FT	110	100	FT	6036330
45° bend for cable tray, horizontal	RB 45 120 FT	110	200	FT	6036332
45° bend for cable tray, horizontal	RB 45 130 FT	110	300	FT	6036334
45° bend for cable tray, horizontal	RB 45 140 FT	110	400	FT	6036336

Designation	Type	Side height mm	Width mm	Surface	Item no.
45° bend for cable tray, horizontal	RB 45 150 FT	110	500	FT	6036338
45° bend for cable tray, horizontal	RB 45 160 FT	110	600	FT	6036340
Bend, angle-adjustable, horizontal	RB W 610 FS	60	100	FS	6037100
Bend, angle-adjustable, horizontal	RB W 615 FS	60	150	FS	6037102
Bend, angle-adjustable, horizontal	RB W 620 FS	60	200	FS	6037104
Bend, angle-adjustable, horizontal	RB W 630 FS	60	300	FS	6037106
Bend, angle-adjustable, horizontal	RB W 640 FS	60	400	FS	6037108
Bend, angle-adjustable, horizontal	RB W 650 FS	60	500	FS	6037110
Bend, angle-adjustable, horizontal	RB W 660 FS	60	600	FS	6037112
Bend, angle-adjustable, horizontal	RB W 810 FS	85	100	FS	6037200
Bend, angle-adjustable, horizontal	RB W 820 FS	85	200	FS	6037202
Bend, angle-adjustable, horizontal	RB W 830 FS	85	300	FS	6037204
Bend, angle-adjustable, horizontal	RB W 840 FS	85	400	FS	6037206
Bend, angle-adjustable, horizontal	RB W 850 FS	85	500	FS	6037208
Bend, angle-adjustable, horizontal	RB W 860 FS	85	600	FS	6037210
Bend, angle-adjustable, horizontal	RB W 110 FS	110	100	FS	6037300
Bend, angle-adjustable, horizontal	RB W 115 FS	110	150	FS	6037302
Bend, angle-adjustable, horizontal	RB W 120 FS	110	200	FS	6037304
Bend, angle-adjustable, horizontal	RB W 130 FS	110	300	FS	6037306
Bend, angle-adjustable, horizontal	RB W 140 FS	110	400	FS	6037308
Bend, angle-adjustable, horizontal	RB W 150 FS	110	500	FS	6037310
Bend, angle-adjustable, horizontal	RB W 160 FS	110	600	FS	6037312
Bend, angle-adjustable, horizontal	RB W 610 FT	60	100	FT	6037120
Bend, angle-adjustable, horizontal	RB W 615 FT	60	150	FT	6037122
Bend, angle-adjustable, horizontal	RB W 620 FT	60	200	FT	6037124
Bend, angle-adjustable, horizontal	RB W 630 FT	60	300	FT	6037126
Bend, angle-adjustable, horizontal	RB W 640 FT	60	400	FT	6037128
Bend, angle-adjustable, horizontal	RB W 650 FT	60	500	FT	6037130
Bend, angle-adjustable, horizontal	RB W 660 FT	60	600	FT	6037132
Bend, angle-adjustable, horizontal	RB W 810 FT	85	100	FT	6037220
Bend, angle-adjustable, horizontal	RB W 820 FT	85	200	FT	6037222
Bend, angle-adjustable, horizontal	RB W 830 FT	85	300	FT	6037225
Bend, angle-adjustable, horizontal	RB W 840 FT	85	400	FT	6037226
Bend, angle-adjustable, horizontal	RB W 850 FT	85	500	FT	6037228
Bend, angle-adjustable, horizontal	RB W 860 FT	85	600	FT	6037230
Bend, angle-adjustable, horizontal	RB W 110 FT	110	100	FT	6037320
Bend, angle-adjustable, horizontal	RB W 115 FT	110	150	FT	6037322
Bend, angle-adjustable, horizontal	RB W 120 FT	110	200	FT	6037324
Bend, angle-adjustable, horizontal	RB W 130 FT	110	300	FT	6037326

## Technical data

Designation	Type	Side height mm	Width mm	Surface	Item no.
Bend, angle-adjustable, horizontal	RB W 140 FT	110	400	FT	6037328
Bend, angle-adjustable, horizontal	RB W 150 FT	110	500	FT	6037330
Bend, angle-adjustable, horizontal	RB W 160 FT	110	600	FT	6037332
Bend, angle-adjustable, horizontal	RB W 610 A2	60	100	A2	6037150
Bend, angle-adjustable, horizontal	RB W 620 A2	60	200	A2	6037154
Bend, angle-adjustable, horizontal	RB W 630 A2	60	300	A2	6037156
Bend, angle-adjustable, horizontal	RB W 640 A2	60	400	A2	6037158
Bend, angle-adjustable, horizontal	RB W 650 A2	60	500	A2	6037160
Bend, angle-adjustable, horizontal	RB W 660 A2	60	600	A2	6037162
Bend, angle-adjustable, horizontal	RB W 610 A4	60	100	A4	6037170
Bend, angle-adjustable, horizontal	RB W 620 A4	60	200	A4	6037174
Bend, angle-adjustable, horizontal	RB W 630 A4	60	300	A4	6037176
Bend, angle-adjustable, horizontal	RB W 640 A4	60	400	A4	6037178
Bend, angle-adjustable, horizontal	RB W 650 A4	60	500	A4	6037180
Bend, angle-adjustable, horizontal	RB W 660 A4	60	600	A4	6037182
Add-on tee for cable tray	RAA 310 FS	35	100	FS	6042101
Add-on tee for cable tray	RAA 320 FS	35	200	FS	6042103
Add-on tee for cable tray	RAA 330 FS	35	300	FS	6042105
Add-on tee for cable tray	RAA 610 FS	60	100	FS	6042111
Add-on tee for cable tray	RAA 615 FS	60	150	FS	6042113
Add-on tee for cable tray	RAA 620 FS	60	200	FS	6042115
Add-on tee for cable tray	RAA 630 FS	60	300	FS	6042117
Add-on tee for cable tray	RAA 640 FS	60	400	FS	6042119
Add-on tee for cable tray	RAA 650 FS	60	500	FS	6042121
Add-on tee for cable tray	RAA 660 FS	60	600	FS	6042123
Add-on tee for cable tray	RAA 810 FS	85	100	FS	6042131
Add-on tee for cable tray	RAA 820 FS	85	200	FS	6042133
Add-on tee for cable tray	RAA 830 FS	85	300	FS	6042135
Add-on tee for cable tray	RAA 840 FS	85	400	FS	6042137
Add-on tee for cable tray	RAA 850 FS	85	500	FS	6042141
Add-on tee for cable tray	RAA 860 FS	85	600	FS	6042143
Add-on tee for cable tray	RAA 110 FS	110	100	FS	6042151
Add-on tee for cable tray	RAA 115 FS	110	150	FS	6042153
Add-on tee for cable tray	RAA 120 FS	110	200	FS	6042155
Add-on tee for cable tray	RAA 130 FS	110	300	FS	6042157
Add-on tee for cable tray	RAA 140 FS	110	400	FS	6042159
Add-on tee for cable tray	RAA 150 FS	110	500	FS	6042161
Add-on tee for cable tray	RAA 160 FS	110	600	FS	6042163
Add-on tee for cable tray	RAA 310 FT	35	100	FT	6042201



Designation	Type	Side height mm	Width mm	Surface	Item no.
Add-on tee for cable tray	RAA 320 FT	35	200	FT	6042203
Add-on tee for cable tray	RAA 330 FT	35	300	FT	6042205
Add-on tee for cable tray	RAA 610 FT	60	100	FT	6042211
Add-on tee for cable tray	RAA 615 FT	60	150	FT	6042213
Add-on tee for cable tray	RAA 620 FT	60	200	FT	6042215
Add-on tee for cable tray	RAA 630 FT	60	300	FT	6042217
Add-on tee for cable tray	RAA 640 FT	60	400	FT	6042219
Add-on tee for cable tray	RAA 650 FT	60	500	FT	6042221
Add-on tee for cable tray	RAA 660 FT	60	600	FT	6042223
Add-on tee for cable tray	RAA 810 FT	85	100	FT	6042231
Add-on tee for cable tray	RAA 820 FT	85	200	FT	6042233
Add-on tee for cable tray	RAA 830 FT	85	300	FT	6042235
Add-on tee for cable tray	RAA 840 FT	85	400	FT	6042237
Add-on tee for cable tray	RAA 850 FT	85	500	FT	6042241
Add-on tee for cable tray	RAA 860 FT	85	600	FT	6042243
Add-on tee for cable tray	RAA 110 FT	110	100	FT	6042251
Add-on tee for cable tray	RAA 115 FT	110	150	FT	6042253
Add-on tee for cable tray	RAA 120 FT	110	200	FT	6042255
Add-on tee for cable tray	RAA 130 FT	110	300	FT	6042257
Add-on tee for cable tray	RAA 140 FT	110	400	FT	6042259
Add-on tee for cable tray	RAA 150 FT	110	500	FT	6042261
Add-on tee for cable tray	RAA 160 FT	110	600	FT	6042263
Add-on tee for cable tray	RAA 610 A2	60	100	A2	6042311
Add-on tee for cable tray	RAA 615 A2	60	150	A2	6042313
Add-on tee for cable tray	RAA 620 A2	60	200	A2	6042315
Add-on tee for cable tray	RAA 630 A2	60	300	A2	6042318
Add-on tee for cable tray	RAA 640 A2	60	400	A2	6042319
Add-on tee for cable tray	RAA 650 A2	60	500	A2	6042321
Add-on tee for cable tray	RAA 660 A2	60	600	A2	6042341
Add-on tee for cable tray	RAA 110 A2	110	100	A2	6042345
Add-on tee for cable tray	RAA 120 A2	110	200	A2	6042347
Add-on tee for cable tray	RAA 130 A2	110	300	A2	6042349
Add-on tee for cable tray	RAA 140 A2	110	400	A2	6042351
Add-on tee for cable tray	RAA 150 A2	110	500	A2	6042353
Add-on tee for cable tray	RAA 160 A2	110	600	A2	6042355
Add-on tee for cable tray	RAA 610 A4	60	100	A4	6042371
Add-on tee for cable tray	RAA 615 A4	60	150	A4	6042373
Add-on tee for cable tray	RAA 620 A4	60	200	A4	6042375
Add-on tee for cable tray	RAA 630 A4	60	300	A4	6042377

## Technical data

Designation	Type	Side height mm	Width mm	Surface	Item no.
Add-on tee for cable tray	RAA 640 A4	60	400	A4	6042379
Add-on tee for cable tray	RAA 650 A4	60	500	A4	6042381
Add-on tee for cable tray	RAA 660 A4	60	600	A4	6042383
T piece for cable tray, horizontal	RT 310 FS	35	100	FS	6038000
T piece for cable tray, horizontal	RT 320 FS	35	200	FS	6038002
T piece for cable tray, horizontal	RT 330 FS	35	300	FS	6038004
T piece for cable tray, horizontal	RT 610 FS	60	100	FS	6038100
T piece for cable tray, horizontal	RT 615 FS	60	150	FS	6038102
T piece for cable tray, horizontal	RT 620 FS	60	200	FS	6038104
T piece for cable tray, horizontal	RT 630 FS	60	300	FS	6038106
T piece for cable tray, horizontal	RT 640 FS	60	400	FS	6038108
T piece for cable tray, horizontal	RT 650 FS	60	500	FS	6038110
T piece for cable tray, horizontal	RT 660 FS	60	600	FS	6038112
T piece for cable tray, horizontal	RT 810 FS	85	100	FS	6038210
T piece for cable tray, horizontal	RT 820 FS	85	200	FS	6038212
T piece for cable tray, horizontal	RT 830 FS	85	300	FS	6038214
T piece for cable tray, horizontal	RT 840 FS	85	400	FS	6038216
T piece for cable tray, horizontal	RT 850 FS	85	500	FS	6038218
T piece for cable tray, horizontal	RT 850 FS	85	600	FS	6038220
T piece for cable tray, horizontal	RT 110 FS	110	100	FS	6038300
T piece for cable tray, horizontal	RT 115 FS	110	150	FS	6038302
T piece for cable tray, horizontal	RT 120 FS	110	200	FS	6038304
T piece for cable tray, horizontal	RT 130 FS	110	300	FS	6038306
T piece for cable tray, horizontal	RT 140 FS	110	400	FS	6038308
T piece for cable tray, horizontal	RT 150 FS	110	500	FS	6038310
T piece for cable tray, horizontal	RT 160 FS	110	600	FS	6038312
T piece for cable tray, horizontal	RT 310 FT	35	100	FT	6038010
T piece for cable tray, horizontal	RT 320 FT	35	200	FT	6038012
T piece for cable tray, horizontal	RT 330 FT	35	300	FT	6038014
T piece for cable tray, horizontal	RT 610 FT	60	100	FT	6038130
T piece for cable tray, horizontal	RT 615 FT	60	150	FT	6038132
T piece for cable tray, horizontal	RT 620 FT	60	200	FT	6038134
T piece for cable tray, horizontal	RT 630 FT	60	300	FT	6038136
T piece for cable tray, horizontal	RT 640 FT	60	400	FT	6038138
T piece for cable tray, horizontal	RT 650 FT	60	500	FT	6038140
T piece for cable tray, horizontal	RT 660 FT	60	600	FT	6038142
T piece for cable tray, horizontal	RT 810 FT	85	100	FT	6038230
T piece for cable tray, horizontal	RT 820 FT	85	200	FT	6038232
T piece for cable tray, horizontal	RT 830 FT	85	300	FT	6038234

Designation	Type	Side height mm	Width mm	Surface	Item no.
T piece for cable tray, horizontal	RT 840 FT	85	400	FT	6038236
T piece for cable tray, horizontal	RT 850 FT	85	500	FT	6038238
T piece for cable tray, horizontal	RT 860 FT	85	600	FT	6038240
T piece for cable tray, horizontal	RT 110 FT	110	100	FT	6038320
T piece for cable tray, horizontal	RT 115 FT	110	150	FT	6038322
T piece for cable tray, horizontal	RT 120 FT	110	200	FT	6038324
T piece for cable tray, horizontal	RT 130 FT	110	300	FT	6038326
T piece for cable tray, horizontal	RT 140 FT	110	400	FT	6038328
T piece for cable tray, horizontal	RT 150 FT	110	500	FT	6038330
T piece for cable tray, horizontal	RT 160 FT	110	600	FT	6038332
T piece for cable tray, horizontal	RT 610 A2	60	100	A2	6038160
T piece for cable tray, horizontal	RT 620 A2	60	200	A2	6038162
T piece for cable tray, horizontal	RT 630 A2	60	300	A2	6038164
T piece for cable tray, horizontal	RT 640 A2	60	400	A2	6038166
T piece for cable tray, horizontal	RT 650 A2	60	500	A2	6038168
T piece for cable tray, horizontal	RT 660 A2	60	600	A2	6038170
T piece for cable tray, horizontal	RT 110 A2	110	100	A2	6038360
T piece for cable tray, horizontal	RT 120 A2	110	200	A2	6038362
T piece for cable tray, horizontal	RT 130 A2	110	300	A2	6038364
T piece for cable tray, horizontal	RT 140 A2	110	400	A2	6038366
T piece for cable tray, horizontal	RT 150 A2	110	500	A2	6038368
T piece for cable tray, horizontal	RT 160 A2	110	600	A2	6038370
T piece for cable tray, horizontal	RT 610 A4	60	100	A4	6038180
T piece for cable tray, horizontal	RT 620 A4	60	200	A4	6038182
T piece for cable tray, horizontal	RT 630 A4	60	300	A4	6038184
T piece for cable tray, horizontal	RT 640 A4	60	400	A4	6038186
T piece for cable tray, horizontal	RT 650 A4	60	500	A4	6038188
T piece for cable tray, horizontal	RT 660 A4	60	600	A4	6038190
Cross-over for cable tray	RK 310 FS	35	100	FS	7027301
Cross-over for cable tray	RK 320 FS	35	200	FS	7027303
Cross-over for cable tray	RK 330 FS	35	300	FS	7027305
Cross-over for cable tray	RK 610 FS	60	100	FS	7027311
Cross-over for cable tray	RK 620 FS	60	200	FS	7027313
Cross-over for cable tray	RK 630 FS	60	300	FS	7027315
Cross-over for cable tray	RK 640 FS	60	400	FS	7027317
Cross-over for cable tray	RK 650 FS	60	500	FS	7027319
Cross-over for cable tray	RK 660 FS	60	600	FS	7027321
Cross-over for cable tray	RK 810 FS	85	100	FS	7027331
Cross-over for cable tray	RK 820 FS	85	200	FS	7027333

## Technical data

Designation	Type	Side height mm	Width mm	Surface	Item no.
Cross-over for cable tray	RK 830 FS	85	300	FS	7027335
Cross-over for cable tray	RK 840 FS	85	400	FS	7027337
Cross-over for cable tray	RK 850 FS	85	500	FS	7027339
Cross-over for cable tray	RK 860 FS	85	600	FS	7027341
Cross-over for cable tray	RK 110 FS	110	100	FS	7027351
Cross-over for cable tray	RK 120 FS	110	200	FS	7027353
Cross-over for cable tray	RK 130 FS	110	300	FS	7027355
Cross-over for cable tray	RK 140 FS	110	400	FS	7027357
Cross-over for cable tray	RK 150 FS	110	500	FS	7027361
Cross-over for cable tray	RK 160 FS	110	600	FS	7027363
Cross-over for cable tray	RK 310 FT	35	100	FT	7027401
Cross-over for cable tray	RK 320 FT	35	200	FT	7027403
Cross-over for cable tray	RK 330 FT	35	300	FT	7027405
Cross-over for cable tray	RK 610 FT	60	100	FT	7027411
Cross-over for cable tray	RK 620 FT	60	200	FT	7027413
Cross-over for cable tray	RK 630 FT	60	300	FT	7027415
Cross-over for cable tray	RK 640 FT	60	400	FT	7027417
Cross-over for cable tray	RK 650 FT	60	500	FT	7027419
Cross-over for cable tray	RK 660 FT	60	600	FT	7027421
Cross-over for cable tray	RK 810 FT	85	100	FT	7027431
Cross-over for cable tray	RK 820 FT	85	200	FT	7027433
Cross-over for cable tray	RK 830 FT	85	300	FT	7027435
Cross-over for cable tray	RK 840 FT	85	400	FT	7027437
Cross-over for cable tray	RK 850 FT	85	500	FT	7027439
Cross-over for cable tray	RK 860 FT	85	600	FT	7027441
Cross-over for cable tray	RK 110 FT	110	100	FT	7027451
Cross-over for cable tray	RK 120 FT	110	200	FT	7027453
Cross-over for cable tray	RK 130 FT	110	300	FT	7027455
Cross-over for cable tray	RK 140 FT	110	400	FT	7027457
Cross-over for cable tray	RK 150 FT	110	500	FT	7027461
Cross-over for cable tray	RK 160 FT	110	600	FT	7027463
Cross-over for cable tray	RK 610 A2	60	100	A2	7027501
Cross-over for cable tray	RK 620 A2	60	200	A2	7027503
Cross-over for cable tray	RK 630 A2	60	300	A2	7027505
Cross-over for cable tray	RK 640 A2	60	400	A2	7027507
Cross-over for cable tray	RK 650 A2	60	500	A2	7027509
Cross-over for cable tray	RK 660 A2	60	600	A2	7027511
Cross-over for cable tray	RK 610 A4	60	100	A4	7027520
Cross-over for cable tray	RK 620 A4	60	200	A4	7027522

Designation	Type	Side height mm	Width mm	Surface	Item no.
Cross-over for cable tray	RK 630 A4	60	300	A4	7027524
Cross-over for cable tray	RK 640 A4	60	400	A4	7027526
Cross-over for cable tray	RK 650 A4	60	500	A4	7027528
Cross-over for cable tray	RK 660 A4	60	600	A4	7027530

## Accessories, fittings

Designation	Type	Width mm	Surface	Item no.
Double clamp for fastening fittings	DOP A2	13	A2	6035998

## Cover length 3,000 mm

Designation	Type	Width mm	Surface	Item no.
Cover for cable support system	DRL 100 FS	100	FS	6052096
Cover for cable support system	DRL 150 FS	150	FS	6052150
Cover for cable support system	DRL 200 FS	200	FS	6052207
Cover for cable support system	DRL 300 FS	300	FS	6052304
Cover for cable support system	DRL 400 FS	400	FS	6052401
Cover for cable support system	DRL 450 FS	450	FS	6052452
Cover for cable support system	DRL 500 FS	500	FS	6052509
Cover for cable support system	DRL 600 FS	600	FS	6052606
Cover for cable support system	DRL 100 A2	100	A2	6052878
Cover for cable support system	DRL 150 A2	150	A2	6052886
Cover for cable support system	DRL 200 A2	200	A2	6052894
Cover for cable support system	DRL 300 A2	300	A2	6052908
Cover for cable support system	DRL 400 A2	400	A2	6052932
Cover for cable support system	DRL 500 A2	500	A2	6052959
Cover for cable support system	DRL 600 A2	600	A2	6052975
Cover for cable support system	DRL 100 A4	100	A4	6052980
Cover for cable support system	DRL 150 A4	150	A4	6052982
Cover for cable support system	DRL 200 A4	200	A4	6052981
Cover for cable support system	DRL 300 A4	300	A4	6052983
Cover for cable support system	DRL 400 A4	400	A4	6052984
Cover for cable support system	DRL 500 A4	500	A4	6052985
Cover for cable support system	DRL 600 A4	600	A4	6052986
Cover for cable support system	DRL 100 DD	100	DD	6052703
Cover for cable support system	DRL 150 DD	150	DD	6052706
Cover for cable support system	DRL 200 DD	200	DD	6052709
Cover for cable support system	DRL 300 DD	300	DD	6052712

## Technical data

Designation	Type	Width mm	Surface	Item no.
Cover for cable support system	DRL 400 DD	400	DD	6052715
Cover for cable support system	DRL 500 DD	500	DD	6052718
Cover for cable support system	DRL 600 DD	600	DD	6052724
Cover for cable support system	DRLU 100 FS	100	FS	6052103
Cover for cable support system	DRLU 150 FS	150	FS	6052153
Cover for cable support system	DRLU 200 FS	200	FS	6052210
Cover for cable support system	DRLU 300 FS	300	FS	6052307
Cover for cable support system	DRLU 400 FS	400	FS	6052405
Cover for cable support system	DRLU 500 FS	500	FS	6052512
Cover for cable support system	DRLU 600 FS	600	FS	6052609
Cover for cable support system	DRLU 100 A2	100	A2	6052824
Cover for cable support system	DRLU 150 A2	150	A2	6052828
Cover for cable support system	DRLU 200 A2	200	A2	6052831
Cover for cable support system	DRLU 300 A2	300	A2	6052834
Cover for cable support system	DRLU 400 A2	400	A2	6052837
Cover for cable support system	DRLU 500 A2	500	A2	6052841
Cover for cable support system	DRLU 600 A2	600	A2	6052844
Cover for cable support system	DRLU 100 A4	100	A4	6052991
Cover for cable support system	DRLU 150 A4	150	A4	6052992
Cover for cable support system	DRLU 200 A4	200	A4	6052993
Cover for cable support system	DRLU 300 A4	300	A4	6052994
Cover for cable support system	DRLU 400 A4	400	A4	6052995
Cover for cable support system	DRLU 500 A4	500	A4	6052996
Cover for cable support system	DRLU 600 A4	600	A4	6052998
Cover for cable support system	DRLU 100 DD	100	DD	6052643
Cover for cable support system	DRLU 150 DD	150	DD	6052647
Cover for cable support system	DRLU 200 DD	200	DD	6052650
Cover for cable support system	DRLU 300 DD	300	DD	6052656
Cover for cable support system	DRLU 400 DD	400	DD	6052662
Cover for cable support system	DRLU 500 DD	500	DD	6052668
Cover for cable support system	DRLU 600 DD	600	DD	6052674
Cover for cable support system	DRLU 100 FS	100	FS	6052103
Cover for cable support system	DRLU 150 FS	150	FS	6052153

Designation	Type	Width mm	Surface	Item no.
Cover for cable support system	DRLU 200 FS	200	FS	6052210
Cover for cable support system	DRLU 300 FS	300	FS	6052307
Cover for cable support system	DRLU 400 FS	400	FS	6052405
Cover for cable support system	DRLU 500 FS	500	FS	6052512
Cover for cable support system	DRLU 550 FS	550	FS	6052571
Cover for cable support system	DRLU 600 FS	600	FS	6052609
Cover for cable support system	DRLU 100 A2	100	A2	6052824
Cover for cable support system	DRLU 150 A2	150	A2	6052828
Cover for cable support system	DRLU 200 A2	200	A2	6052831
Cover for cable support system	DRLU 300 A2	300	A2	6052834
Cover for cable support system	DRLU 400 A2	400	A2	6052837
Cover for cable support system	DRLU 500 A2	500	A2	6052841
Cover for cable support system	DRLU 600 A2	600	A2	6052844
Cover for cable support system	DRLU 100 A4	100	A4	6052991
Cover for cable support system	DRLU 150 A4	150	A4	6052992
Cover for cable support system	DRLU 200 A4	200	A4	6052993
Cover for cable support system	DRLU 300 A4	300	A4	6052994
Cover for cable support system	DRLU 400 A4	400	A4	6052995
Cover for cable support system	DRLU 500 A4	500	A4	6052996
Cover for cable support system	DRLU 600 A4	600	A4	6052998
Cover for cable support system	DRLU 100 DD	100	DD	6052643
Cover for cable support system	DRLU 150 DD	150	DD	6052647
Cover for cable support system	DRLU 200 DD	200	DD	6052650
Cover for cable support system	DRLU 300 DD	300	DD	6052656
Cover for cable support system	DRLU 400 DD	400	DD	6052662
Cover for cable support system	DRLU 500 DD	500	DD	6052668
Cover for cable support system	DRLU 600 DD	600	DD	6052674

## Cover, fittings

Designation	Type	Width mm	Surface	Item no.
Cover for 90° bend	RBD 90 100 FS	100	FS	6036900
Cover for 90° bend	RBD 90 150 FS	150	FS	6036902
Cover for 90° bend	RBD 90 200 FS	200	FS	6036904
Cover for 90° bend	RBD 90 300 FS	300	FS	6036906
Cover for 90° bend	RBD 90 400 FS	400	FS	6036908

## Technical data

Designation	Type	Width mm	Surface	Item no.
Cover for 90° bend	RBD 90 500 FS	500	FS	6036910
Cover for 90° bend	RBD 90 600 FS	600	FS	6036912
Cover for 90° bend	RBD 90 500 A2	500	A2	6036980
Cover for 90° bend	RBD 90 600 A2	600	A2	6036982
Cover for 90° bend	RBD 90 100 A2	100	A2	6036970
Cover for 90° bend	RBD 90 150 A2	150	A2	6036972
Cover for 90° bend	RBD 90 200 A2	200	A2	6036974
Cover for 90° bend	RBD 90 300 A2	300	A2	6036976
Cover for 90° bend	RBD 90 400 A2	400	A2	6036978
Cover for 90° bend	RBD 90 100 A4	100	A4	6036986
Cover for 90° bend	RBD 90 150 A4	150	A4	6036988
Cover for 90° bend	RBD 90 200 A4	200	A4	6036990
Cover for 90° bend	RBD 90 300 A4	300	A4	6036992
Cover for 90° bend	RBD 90 400 A4	400	A4	6036990
Cover for 90° bend	RBD 90 500 A4	500	A4	6036996
Cover for 90° bend	RBD 90 600 A4	600	A4	6036998
Cover for 90° bend	RBD 90 100 DD	100	DD	6036950
Cover for 90° bend	RBD 90 150 DD	150	DD	6036952
Cover for 90° bend	RBD 90 200 DD	200	DD	6036954
Cover for 90° bend	RBD 90 300 DD	300	DD	6036956
Cover for 90° bend	RBD 90 400 DD	400	DD	6036958
Cover for 90° bend	RBD 90 500 DD	500	DD	6036960
Cover for 90° bend	RBD 90 600 DD	600	DD	6036962
Cover for 45° bend	RBD 45 100 FS	100	FS	6036400
Cover for 45° bend	RBD 45 150 FS	150	FS	6036402
Cover for 45° bend	RBD 45 200 FS	200	FS	6036404
Cover for 45° bend	RBD 45 300 FS	300	FS	6036407
Cover for 45° bend	RBD 45 400 FS	400	FS	6036408
Cover for 45° bend	RBD 45 500 FS	500	FS	6036410
Cover for 45° bend	RBD 45 600 FS	600	FS	6036412
Cover for 45° bend	RBD 45 100 DD	100	DD	6036450
Cover for 45° bend	RBD 45 150 DD	150	DD	6036452
Cover for 45° bend	RBD 45 200 DD	200	DD	6036454
Cover for 45° bend	RBD 45 300 DD	300	DD	6036456
Cover for 45° bend	RBD 45 400 DD	400	DD	6036458
Cover for 45° bend	RBD 45 500 DD	500	DD	6036460



Designation	Type	Width mm	Surface	Item no.
Cover for 45° bend	RBD 45 600 DD	600	DD	6036462
Cover for bend, angle-adjustable	RBD W 100 FS	100	FS	6037500
Cover for bend, angle-adjustable	RBD W 150 FS	150	FS	6037502
Cover for bend, angle-adjustable	RBD W 200 FS	200	FS	6037504
Cover for bend, angle-adjustable	RBD W 300 FS	300	FS	6037506
Cover for bend, angle-adjustable	RBD W 400 FS	400	FS	6037508
Cover for bend, angle-adjustable	RBD W 500 FS	500	FS	6037510
Cover for bend, angle-adjustable	RBD W 600 FS	600	FS	6037512
Cover for bend, angle-adjustable	RBD W 100 A2	100	A2	6037560
Cover for bend, angle-adjustable	RBD W 200 A2	200	A2	6037562
Cover for bend, angle-adjustable	RBD W 300 A2	300	A2	6037564
Cover for bend, angle-adjustable	RBD W 400 A2	400	A2	6037566
Cover for bend, angle-adjustable	RBD W 500 A2	500	A2	6037568
Cover for bend, angle-adjustable	RBD W 600 A2	600	A2	6037570
Cover for bend, angle-adjustable	RBD W 100 A4	100	A4	6037572
Cover for bend, angle-adjustable	RBD W 200 A4	200	A4	6037574
Cover for bend, angle-adjustable	RBD W 300 A4	300	A4	6037576
Cover for bend, angle-adjustable	RBD W 400 A4	400	A4	6037578
Cover for bend, angle-adjustable	RBD W 500 A4	500	A4	6037580
Cover for bend, angle-adjustable	RBD W 600 A4	600	A4	6037582
Cover for bend, angle-adjustable	RBD W 100 DD	100	DD	6037540
Cover for bend, angle-adjustable	RBD W 150 DD	150	DD	6037542
Cover for bend, angle-adjustable	RBD W 200 DD	200	DD	6037544
Cover for bend, angle-adjustable	RBD W 300 DD	300	DD	6037546
Cover for bend, angle-adjustable	RBD W 400 DD	400	DD	6037548
Cover for bend, angle-adjustable	RBD W 500 DD	500	DD	6037550
Cover for bend, angle-adjustable	RBD W 600 DD	600	DD	6037552
Cover for add-on tee	RAAD 100 FS	100	FS	6042401
Cover for add-on tee	RAAD 150 FS	150	FS	6042403
Cover for add-on tee	RAAD 200 FS	200	FS	6042405
Cover for add-on tee	RAAD 300 FS	300	FS	6042407
Cover for add-on tee	RAAD 400 FS	400	FS	6042409
Cover for add-on tee	RAAD 500 FS	500	FS	6042411
Cover for add-on tee	RAAD 600 FS	600	FS	6042413
Cover for add-on tee	RAAD 100 A2	100	A2	6042451
Cover for add-on tee	RAAD 150 A2	150	A2	6042453

## Technical data

Designation	Type	Width mm	Surface	Item no.
Cover for add-on tee	RAAD 200 A2	200	A2	6042455
Cover for add-on tee	RAAD 300 A2	300	A2	6042457
Cover for add-on tee	RAAD 400 A2	400	A2	6042459
Cover for add-on tee	RAAD 500 A2	500	A2	6042461
Cover for add-on tee	RAAD 600 A2	600	A2	6042463
Cover for add-on tee	RAAD 100 A4	100	A4	6042471
Cover for add-on tee	RAAD 150 A4	150	A4	6042473
Cover for add-on tee	RAAD 200 A4	200	A4	6042475
Cover for add-on tee	RAAD 300 A4	300	A4	6042477
Cover for add-on tee	RAAD 400 A4	400	A4	6042479
Cover for add-on tee	RAAD 500 A4	500	A4	6042481
Cover for add-on tee	RAAD 600 A4	600	A4	6042483
Cover for add-on tee	RAAD 100 DD	100	DD	6042431
Cover for add-on tee	RAAD 150 DD	150	DD	6042433
Cover for add-on tee	RAAD 200 DD	200	DD	6042435
Cover for add-on tee	RAAD 300 DD	300	DD	6042437
Cover for add-on tee	RAAD 400 DD	400	DD	6042439
Cover for add-on tee	RAAD 500 DD	500	DD	6042441
Cover for add-on tee	RAAD 600 DD	600	DD	6042443
Cover for T piece	RTD 100 FS	100	FS	6038600
Cover for T piece	RTD 150 FS	150	FS	6038602
Cover for T piece	RTD 200 FS	200	FS	6038604
Cover for T piece	RTD 300 FS	300	FS	6038606
Cover for T piece	RTD 400 FS	400	FS	6038608
Cover for T piece	RTD 500 FS	500	FS	6038610
Cover for T piece	RTD 600 FS	600	FS	6038612
Cover for T piece	RTD 100 A2	100	A2	6038661
Cover for T piece	RTD 200 A2	200	A2	6038662
Cover for T piece	RTD 300 A2	300	A2	6038664
Cover for T piece	RTD 400 A2	400	A2	6038666
Cover for T piece	RTD 500 A2	500	A2	6038668
Cover for T piece	RTD 600 A2	600	A2	6038670
Cover for T piece	RTD 100 A4	100	A4	6038680
Cover for T piece	RTD 200 A4	200	A4	6038682
Cover for T piece	RTD 300 A4	300	A4	6038684
Cover for T piece	RTD 400 A4	400	A4	6038686

Designation	Type	Width mm	Surface	Item no.
Cover for T piece	RTD 500 A4	500	A4	6038688
Cover for T piece	RTD 600 A4	600	A4	6038690
Cover for T piece	RTD 100 DD	100	DD	6038640
Cover for T piece	RTD 150 DD	150	DD	6038642
Cover for T piece	RTD 200 DD	200	DD	6038644
Cover for T piece	RTD 300 DD	300	DD	6038646
Cover for T piece	RTD 400 DD	400	DD	6038648
Cover for T piece	RTD 500 DD	500	DD	6038650
Cover for T piece	RTD 600 DD	600	DD	6038652
Cover for cross-over	RKD 100 FS	100	FS	7027800
Cover for cross-over	RKD 200 FS	200	FS	7027802
Cover for cross-over	RKD 300 FS	300	FS	7027804
Cover for cross-over	RKD 400 FS	400	FS	7027806
Cover for cross-over	RKD 500 FS	500	FS	7027808
Cover for cross-over	RKD 600 FS	600	FS	7027810
Cover for cross-over	RKD 100 A2	100	A2	7027860
Cover for cross-over	RKD 200 A2	200	A2	7027862
Cover for cross-over	RKD 300 A2	300	A2	7027864
Cover for cross-over	RKD 400 A2	400	A2	7027866
Cover for cross-over	RKD 500 A2	500	A2	7027868
Cover for cross-over	RKD 600 A2	600	A2	7027870
Cover for cross-over	RKD 100 A4	100	A4	7027880
Cover for cross-over	RKD 200 A4	200	A4	7027882
Cover for cross-over	RKD 300 A4	300	A4	7027884
Cover for cross-over	RKD 400 A4	400	A4	7027886
Cover for cross-over	RKD 500 A4	500	A4	7027888
Cover for cross-over	RKD 600 A4	600	A4	7027890
Cover for cross-over	RKD 100 DD	100	DD	7027840
Cover for cross-over	RKD 200 DD	200	DD	7027842
Cover for cross-over	RKD 300 DD	300	DD	7027844
Cover for cross-over	RKD 400 DD	400	DD	7027846
Cover for cross-over	RKD 500 DD	500	DD	7027848
Cover for cross-over	RKD 600 DD	600	DD	7027850

## Accessories, covers

Designation	Type	Dimensions mm	Surface	Item no.
Cover clamp, universal	DK DRLU A2	25 x 18 x 18 (LxWxH)	A2	6052810
Turn buckle, for cover, for riveting	DRL H FT		FT	6065012
Turn buckle, for cover, for screwing	DRL H S FT		FT	6065018
Turn buckle, for cover, for screwing	DRL H S A2		A2	6065016

## Bottom plates

Designation	Type	Width mm	Surface	Item no.
Bottom end plate for cable tray	BEB 100 FS	100	FS	7083106
Bottom end plate for cable tray	BEB 150 FS	150	FS	7083157
Bottom end plate for cable tray	BEB 200 FS	200	FS	7083203
Bottom end plate for cable tray	BEB 300 FS	300	FS	7083300
Bottom end plate for cable tray	BEB 400 FS	400	FS	7083408
Bottom end plate for cable tray	BEB 500 FS	500	FS	7083505
Bottom end plate for cable tray	BEB 600 FS	600	FS	7083602
Bottom end plate for cable tray	BEB 100 A2	100	A2	7084013
Bottom end plate for cable tray	BEB 150 A2	150	A2	7084015
Bottom end plate for cable tray	BEB 200 A2	200	A2	7084048
Bottom end plate for cable tray	BEB 300 A2	300	A2	7084064
Bottom end plate for cable tray	BEB 400 A2	400	A2	7084080
Bottom end plate for cable tray	BEB 450 A2	450	A2	7084091
Bottom end plate for cable tray	BEB 500 A2	500	A2	7084102
Bottom end plate for cable tray	BEB 600 A2	600	A2	7084129
Bottom end plate for cable tray	BEB 100 A4	100	A4	7084141
Bottom end plate for cable tray	BEB 150 A4	150	A4	7084142
Bottom end plate for cable tray	BEB 200 A4	200	A4	7084143
Bottom end plate for cable tray	BEB 300 A4	300	A4	7084145
Bottom end plate for cable tray	BEB 400 A4	400	A4	7084147
Bottom end plate for cable tray	BEB 500 A4	500	A4	7084149
Bottom end plate for cable tray	BEB 600 A4	600	A4	7084151
Bottom end plate for cable tray	BEB 100 DD	100	DD	7083618
Bottom end plate for cable tray	BEB 150 DD	150	DD	7083622
Bottom end plate for cable tray	BEB 200 DD	200	DD	7083626
Bottom end plate for cable tray	BEB 300 DD	300	DD	7083630
Bottom end plate for cable tray	BEB 400 DD	400	DD	7083634
Bottom end plate for cable tray	BEB 500 DD	500	DD	7083638
Bottom end plate for cable tray	BEB 600 DD	600	DD	7083642

## Barrier strips

Designation	Type	Side height mm	Length mm	Surface	Item no.
Barrier strip for cable support system	TSG 30 FS	30	2995	FS	6062050
Barrier strip for cable support system	TSG 45 FS	45	2995	FS	6062033
Barrier strip for cable support system	TSG 60 FS	60	2995	FS	6062068
Barrier strip for cable support system	TSG 85 FS	85	2995	FS	6062114
Barrier strip for cable support system	TSG 110 FS	110	2995	FS	6062122
Barrier strip for cable support system	TSG 30 A2	30	2995	A2	6062052
Barrier strip for cable support system	TSG 45 A2	45	2995	A2	6062025
Barrier strip for cable support system	TSG 60 A2	60	2995	A2	6062084
Barrier strip for cable support system	TSG 85 A2	85	2995	A2	6062173
Barrier strip for cable support system	TSG 110 A2	110	2995	A2	6062255
Barrier strip for cable support system	TSG 30 A4	30	2995	A4	6062054
Barrier strip for cable support system	TSG 45 A4	45	2995	A4	6062028
Barrier strip for cable support system	TSG 60 A4	60	2995	A4	6062086

## Joint plates

Designation	Type	Width mm	Surface	Item no.
Connector for cable support system	SSLB 100 FS	100	FS	7070205
Connector for cable support system	SSLB 150 FS	150	FS	7070209
Connector for cable support system	SSLB 200 FS	200	FS	7070213
Connector for cable support system	SSLB 300 FS	300	FS	7070217
Connector for cable support system	SSLB 400 FS	400	FS	7070221
Connector for cable support system	SSLB 500 FS	500	FS	7070225
Connector for cable support system	SSLB 600 FS	600	FS	7070233
Connector for cable support system	SSLB 100 A2	100	A2	7070353
Connector for cable support system	SSLB 200 A2	200	A2	7070361
Connector for cable support system	SSLB 300 A2	300	A2	7070365
Connector for cable support system	SSLB 400 A2	400	A2	7070369

## Technical data

Designation	Type	Width mm	Surface	Item no.
Connector for cable support system	SSLB 500 A2	500	A2	7070373
Connector for cable support system	SSLB 600 A2	600	A2	7070381
Connector for cable support system	SSLB 100 A4	100	A4	7070390
Connector for cable support system	SSLB 200 A4	200	A4	7070392
Connector for cable support system	SSLB 300 A4	300	A4	7070394
Connector for cable support system	SSLB 400 A4	400	A4	7070396
Connector for cable support system	SSLB 500 A4	500	A4	7070398
Connector for cable support system	SSLB 600 A4	600	A4	7070400
Connector for cable support system	SSLB 100 DD	100	DD	7070306
Connector for cable support system	SSLB 150 DD	150	DD	7070310
Connector for cable support system	SSLB 200 DD	200	DD	7070314
Connector for cable support system	SSLB 300 DD	300	DD	7070318
Connector for cable support system	SSLB 400 DD	400	DD	7070322
Connector for cable support system	SSLB 500 DD	500	DD	7070326
Connector for cable support system	SSLB 600 DD	600	DD	7070334

## Reducers/end closures

Designation	Type	Side height mm	Width mm	Surface	Item no.
End piece for cable tray	RWEB 310 FS	35	100	FS	7108109
End piece for cable tray	RWEB 320 FS	35	200	FS	7108206
End piece for cable tray	RWEB 330 FS	35	300	FS	7108311
End piece for cable tray	RWEB 610 FS	60	100	FS	7109105
End piece for cable tray	RWEB 615 FS	60	150	FS	7109156
End piece for cable tray	RWEB 620 FS	60	200	FS	7109202
End piece for cable tray	RWEB 630 FS	60	300	FS	7109296
End piece for cable tray	RWEB 640 FS	60	400	FS	7109407
End piece for cable tray	RWEB 650 FS	60	500	FS	7109504
End piece for cable tray	RWEB 660 FS	60	600	FS	7109601
End piece for cable tray	RWEB 810 FS	85	100	FS	7110103
End piece for cable tray	RWEB 820 FS	85	200	FS	7110200
End piece for cable tray	RWEB 830 FS	85	300	FS	7110308
End piece for cable tray	RWEB 840 FS	85	400	FS	7110405

Designation	Type	Side height mm	Width mm	Surface	Item no.
End piece for cable tray	RWEB 850 FS	85	500	FS	7110502
End piece for cable tray	RWEB 860 FS	85	600	FS	7110618
End piece for cable tray	RWEB 110 FS	110	100	FS	7111096
End piece for cable tray	RWEB 115 FS	110	150	FS	7111201
End piece for cable tray	RWEB 120 FS	110	200	FS	7111207
End piece for cable tray	RWEB 130 FS	110	300	FS	7111304
End piece for cable tray	RWEB 140 FS	110	400	FS	7111428
End piece for cable tray	RWEB 150 FS	110	500	FS	7111509
End piece for cable tray	RWEB 160 FS	110	600	FS	7111740
End piece for cable tray	RWEB 610 A2	60	100	A2	7109814
End piece for cable tray	RWEB 615 A2	60	150	A2	7109816
End piece for cable tray	RWEB 620 A2	60	200	A2	7109830
End piece for cable tray	RWEB 630 A2	60	300	A2	7109857
End piece for cable tray	RWEB 640 A2	60	400	A2	7109873
End piece for cable tray	RWEB 650 A2	60	500	A2	7109903
End piece for cable tray	RWEB 660 A2	60	600	A2	7109938
End piece for cable tray	RWEB 610 A4	60	100	A4	7109951
End piece for cable tray	RWEB 620 A4	60	200	A4	7109953
End piece for cable tray	RWEB 630 A4	60	300	A4	7109955
End piece for cable tray	RWEB 640 A4	60	400	A4	7109957
End piece for cable tray	RWEB 650 A4	60	500	A4	7109959
End piece for cable tray	RWEB 660 A4	60	600	A4	7109961
End piece for cable tray	RWEB 310 DD	35	100	DD	7107013
End piece for cable tray	RWEB 320 DD	35	200	DD	7107048
End piece for cable tray	RWEB 610 DD	60	100	DD	7106106
End piece for cable tray	RWEB 615 DD	60	150	DD	7106110
End piece for cable tray	RWEB 620 DD	60	200	DD	7106114
End piece for cable tray	RWEB 630 DD	60	300	DD	7106118
End piece for cable tray	RWEB 640 DD	60	400	DD	7106122
End piece for cable tray	RWEB 650 DD	60	500	DD	7106126
End piece for cable tray	RWEB 660 DD	60	600	DD	7106130
End piece for cable tray	RWEB 810 DD	85	100	DD	7107315
End piece for cable tray	RWEB 820 DD	85	200	DD	7107331
End piece for cable tray	RWEB 830 DD	85	300	DD	7107366
End piece for cable tray	RWEB 840 DD	85	400	DD	7107382
End piece for cable tray	RWEB 850 DD	85	500	DD	7107404

## Technical data

Designation	Type	Side height mm	Width mm	Surface	Item no.
End piece for cable tray	RWEB 860 DD	85	600	DD	7107420
End piece for cable tray	RWEB 110 DD	110	100	DD	7107455
End piece for cable tray	RWEB 115 DD	110	150	DD	7107463
End piece for cable tray	RWEB 120 DD	110	200	DD	7107471
End piece for cable tray	RWEB 130 DD	110	300	DD	7107501
End piece for cable tray	RWEB 140 DD	110	400	DD	7107536
End piece for cable tray	RWEB 150 DD	110	500	DD	7107552
End piece for cable tray	RWEB 160 DD	110	600	DD	7107562

## Miscellaneous

Designation	Type	For plate thickness mm	Dimension h mm	Surface	Item no.
Edge protection strip	KSB 2 PVC	0.75–2	10	PVC	6072909
Edge protection strip	KSB 4 PVC	1.5–4	15	PVC	6072895

Designation	Type	Cross-section mm <sup>2</sup>	Thread	Surface	Item no.
Earthing terminal with fastening thread	EKL 25 M6	25	M6	CuZn37	6404006
Earthing terminal with fastening thread	EKL 35 M6	35	M6	CuZn37	6404014

Designation	Type	Dimension mm	Resistance	Surface	Item no.
FRS truss-head bolt with combination nut	FRSB 6x12 G	M6x 12	5.6	G	6406130
FRS truss-head bolt with combination nut	FRSB 6x 12 F	M6x 12	5.6	F	6406122
FRS truss-head bolt with combination nut	FRSB 6x 16 F	M6x 16	5.6	F	6406157
FRS truss-head bolt with combination nut	FRSB 6x 20 F	M6x 20	5.6	F	6406203
FRS truss-head bolt with combination nut	FRSB 6x 30 F	M6x 30	5.6	F	6406907
FRS truss-head bolt with combination nut	FRSB 6x12 A2	M6x 12	A2-70	A2	6406138
FRS truss-head bolt with combination nut	FRSB 6x16 A2	M6x 16	A2-70	A2	6406189
FRS truss-head bolt with combination nut	FRSB 6x20 A2	M6x 20	A2-70	A2	6406205
FRS truss-head bolt with combination nut	FRSB 6x12 A4	M6x 12	A4-50	A4	6406142
FRS truss-head bolt with combination nut	FRSB 6x16 A4	M6x 16	A4-50	A4	6406193
FRS truss-head bolt with combination nut	FRSB 6x20 A4	M6x 20	A4-50	A4	6406207



## 10.2 Number of fastening materials

The number of screws and double clamps required varies, depending on the type of fitting and its width and height. Regardless of the screw or clamp connection, additional screws are required for fastening the integrated joint plates.

The following tables list the recommended number of fastening materials. Fittings with a side height of 35 mm can only be screwed.

### 10.2.1 Recommended number of fastening materials for screw connection

	in mm	Screws per connector strip				Screws for integrated joint plate				Recommended total number of screws			
		H 35	H 60	H 85	H 110	H 35	H 60	H 85	H 110	H 35	H 60	H 85	H 110
RB 45/ RB 90	B 100	1	2	3	4	2	2	2	2	6	10	14	18
	B 150	-	2	-	-	-	2	-	-	-	10	-	-
	B 200	1	2	3	4	4	4	4	4	8	12	16	20
	B 300	1	2	3	4	6	6	6	6	10	14	18	22
	B 400	-	2	3	4	-	6	6	6	-	14	18	22
	B 500	-	2	3	4	-	8	8	8	-	16	20	24
	B 600	-	2	3	4	-	8	8	8	-	16	20	24
RB W	B 100	-	2	3	4	-	2	2	2	-	10	14	18
	B 150	-	2	-	-	-	2	-	-	-	10	-	-
	B 200	-	2	3	4	-	4	4	4	-	12	16	20
	B 300	-	2	3	4	-	6	6	6	-	14	18	22
	B 400	-	2	3	4	-	6	6	6	-	14	18	22
	B 500	-	2	3	4	-	8	8	8	-	16	20	24
	B 600	-	2	3	4	-	8	8	8	-	16	20	24
RAA	B 100	1	2	3	4	2	2	2	2	6	10	14	18
	B 150	-	2	-	-	-	2	-	-	-	10	-	-
	B 200	1	2	3	4	4	4	4	4	8	12	16	20
	B 300	1	2	3	4	6	6	6	6	10	14	18	22
	B 400	-	2	3	4	-	6	6	6	-	14	18	22
	B 500	-	2	3	4	-	8	8	8	-	16	20	24
	B 600	-	2	3	4	-	8	8	8	-	16	20	24
RT	B 100	1	2	3	4	3	3	3	3	9	15	21	27
	B 150	-	2	-	-	-	3	-	-	-	15	-	-
	B 200	1	2	3	4	6	6	6	6	12	18	24	30
	B 300	1	2	3	4	9	9	9	9	15	21	27	33
	B 400	-	2	3	4	-	9	9	9	-	21	27	33
	B 500	-	2	3	4	-	12	12	12	-	24	30	36
	B 600	-	2	3	4	-	12	12	12	-	24	30	36
RK	B 100	1	2	3	4	4	4	4	4	12	20	28	36
	B 150	-	2	-	-	-	4	-	-	-	20	-	-
	B 200	1	2	3	4	8	8	8	8	16	24	32	40
	B 300	1	2	3	4	12	12	12	12	20	28	36	44
	B 400	-	2	3	4	-	12	12	12	-	28	36	44
	B 500	-	2	3	4	-	16	16	16	-	32	40	48
	B 600	-	2	3	4	-	16	16	16	--	32	40	48

Tab. 7: Number of fastening materials for screw connection

10.2.2 Recommended number of fastening materials for clamp connection

	in mm	Double clamps per fitting			Screws for integrated joint plate		
		H 60	H 85	H 110	H 60	H 85	H 110
RB 45/ RB 90	B 100	4	4	4	2	2	2
	B 150	4	4	4	2	2	2
	B 200	4	4	4	4	4	4
	B 300	4	4	4	6	6	6
	B 400	4	4	4	6	6	6
	B 500	4	4	4	8	8	8
	B 600	4	4	4	8	8	8
RB W	B 100	4	4	4	2	2	2
	B 150	4	4	4	2	2	2
	B 200	4	4	4	4	4	4
	B 300	4	4	4	6	6	6
	B 400	4	4	4	6	6	6
	B 500	4	4	4	8	8	8
	B 600	4	4	4	8	8	8
RAA	B 100	2	2	2	2	2	2
	B 150	2	2	2	2	2	2
	B 200	2	2	2	4	4	4
	B 300	2	2	2	6	6	6
	B 400	2	2	2	6	6	6
	B 500	2	2	2	8	8	8
	B 600	2	2	2	8	8	8
RT	B 100	6	6	6	3	3	3
	B 150	6	6	6	3	3	3
	B 200	6	6	6	6	6	6
	B 300	6	6	6	9	9	9
	B 400	6	6	6	9	9	9
	B 500	6	6	6	12	12	12
	B 600	6	6	6	12	12	12
RK	B 100	8	8	8	4	4	4
	B 150	8	8	8	4	4	4
	B 200	8	8	8	8	8	8
	B 300	8	8	8	12	12	12
	B 400	8	8	8	12	12	12
	B 500	8	8	8	16	16	16
	B 600	8	8	8	16	16	16

Tab. 8: Number of fastening materials for clamp connection



**OBO Bettermann Holding GmbH & Co. KG**

P.O. Box 1120  
58694 Menden  
GERMANY

**Customer Service Germany**

Tel.: +49 (0)2373 89-1300

[toi@obo.de](mailto:toi@obo.de)

[www.obo-bettermann.com](http://www.obo-bettermann.com)

WW No 230035.11 Date 01/2025

---

**Building Connections**

